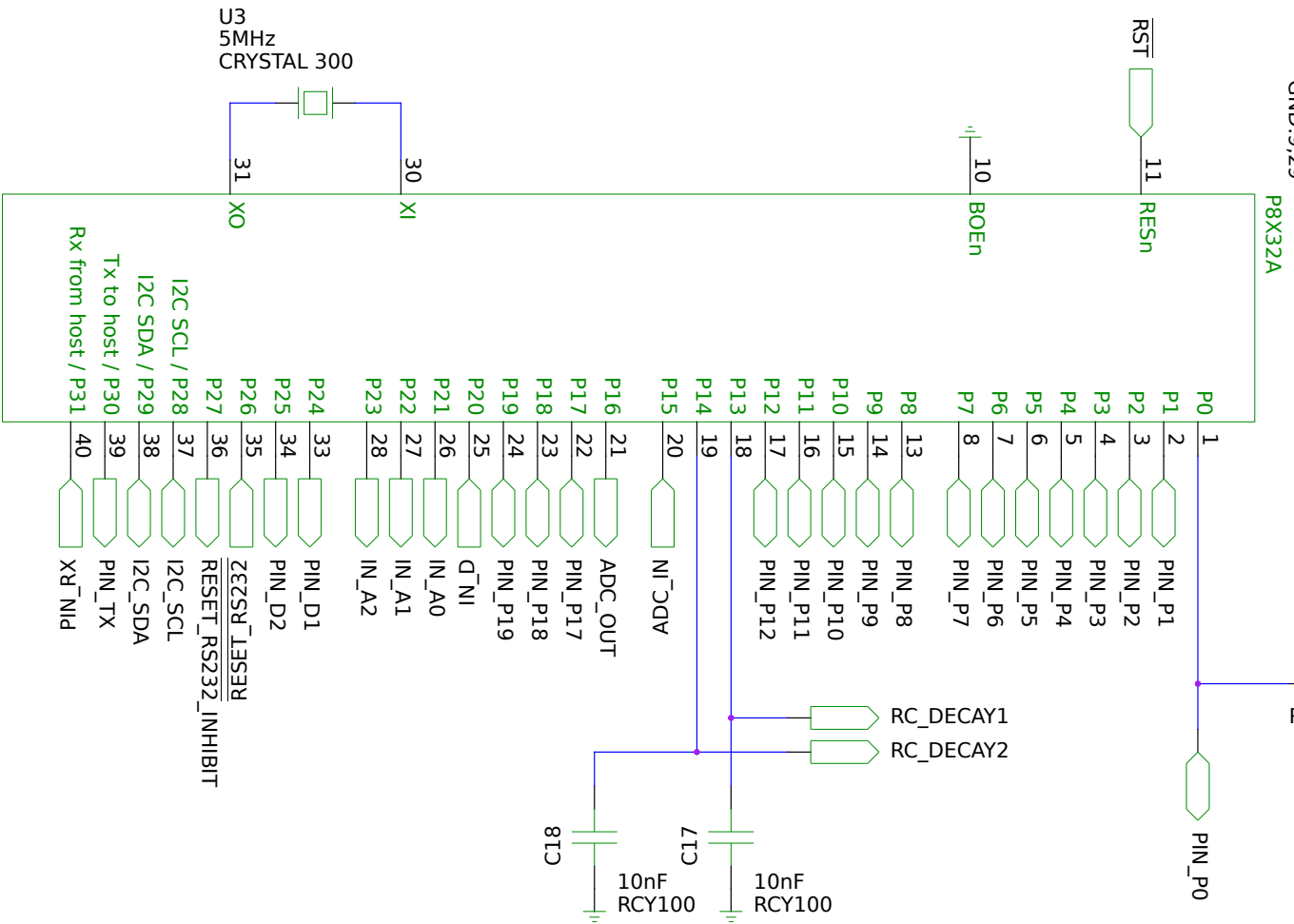


U1  
DIP40

This chip is precious, use socket.  
If Vdd falls below +2.7V, all pins become tristate.  
RESn is pulled up through 5K when BOEn is low.

Vcc:12,32  
GND:9,29

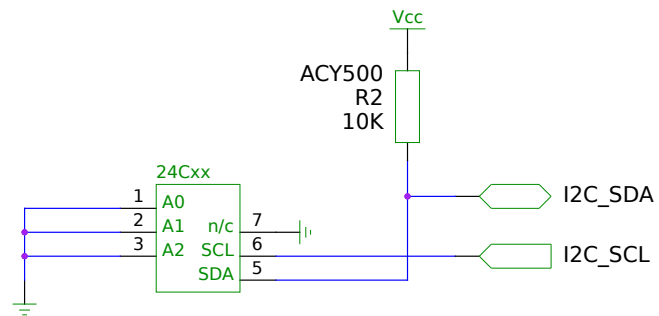


### Controller with RAM, free design

### Zerocat Dev Kit

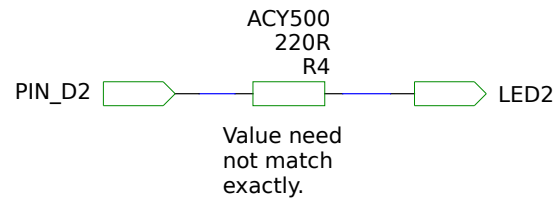
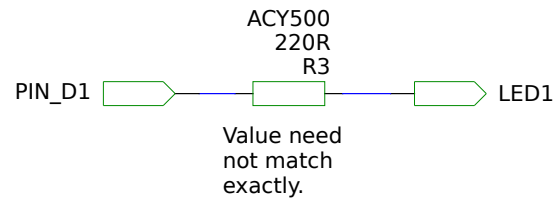
Put the fun back into hardware development!  
[git://zerocat.org/zerocat/projects/zerocat-dev-kit.git](https://zerocat.org/zerocat/projects/zerocat-dev-kit.git)

TITLE		
FILE:	multiboard-page01.sch	REVISION: 2117b7b4b (master)
PAGE	OF	DRAWN BY:



U4  
24LC256  
DIP8  
This chip is optional. Use socket.

<b>Serial EEPROM (optional)</b>		<b>Zerocat Dev Kit</b>	
TITLE		Put the fun back into hardware development! <a href="https://zerocat.org/zerocat/projects/zerocat-dev-kit.git">git://zerocat.org/zerocat/projects/zerocat-dev-kit.git</a>	
FILE:	multiboard-page02.sch	REVISION:	2117b7b4b (master)
PAGE	OF	DRAWN BY:	



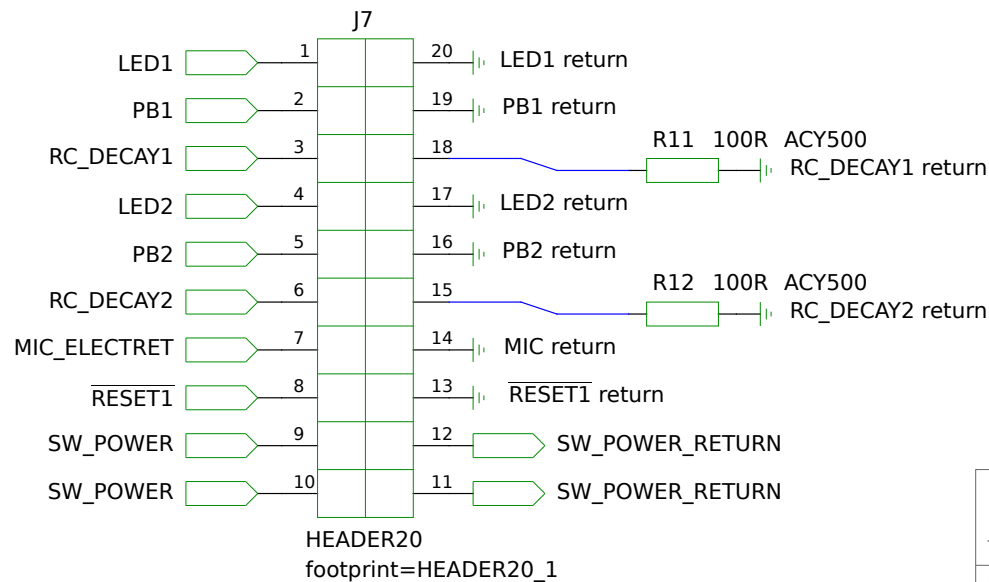
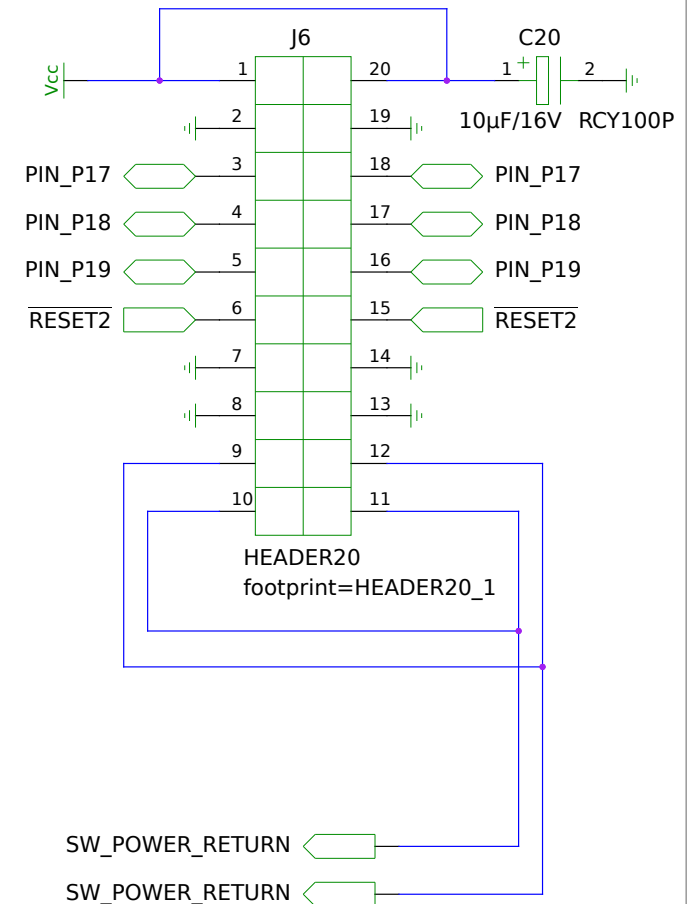
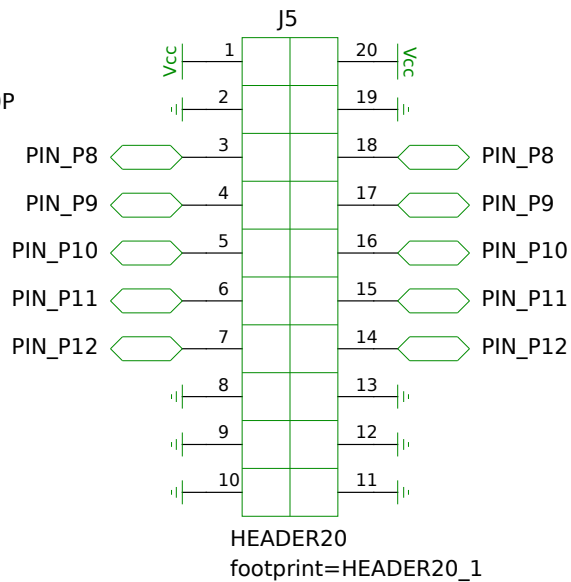
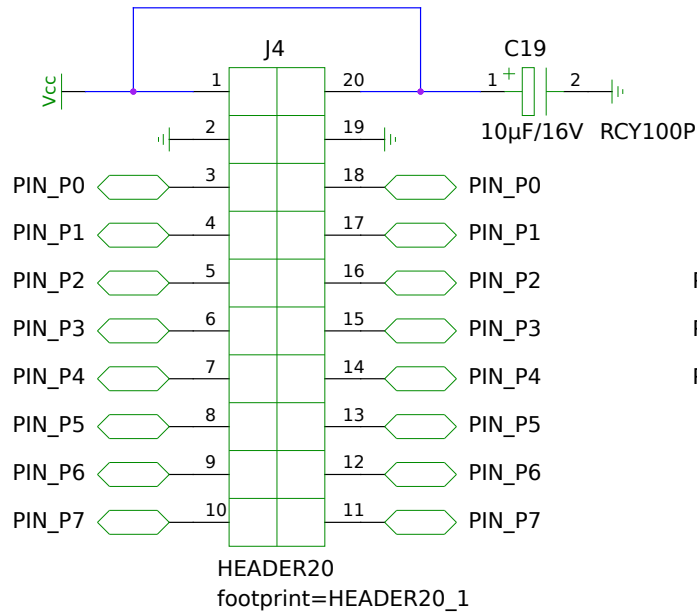
### Software Status LEDs

### Zerocat Dev Kit

Put the fun back into hardware development!  
[git://zerocat.org/zerocat/projects/zerocat-dev-kit.git](https://zerocat.org/zerocat/projects/zerocat-dev-kit.git)

TITLE		REVISION:	2117b7b4b (master)
FILE:	multiboard-page03.sch	DRAWN BY:	
PAGE	OF		





## PCB Connectors

TITLE

FILE: multiboard-page05.sch

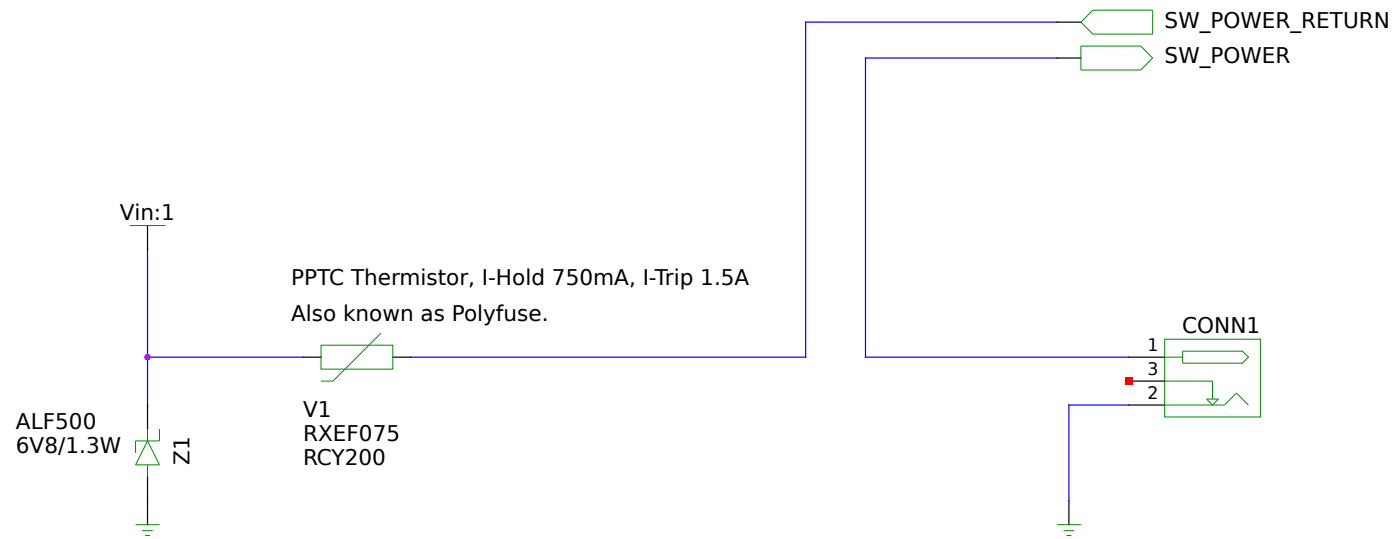
PAGE OF

## Zerocat Dev Kit

Put the fun back into hardware development!  
[git://zerocat.org/zerocat/projects/zerocat-dev-kit.git](https://github.com/zerocat/projects/zerocat-dev-kit)

REVISION: 2117b7b4b (master)

DRAWN BY:

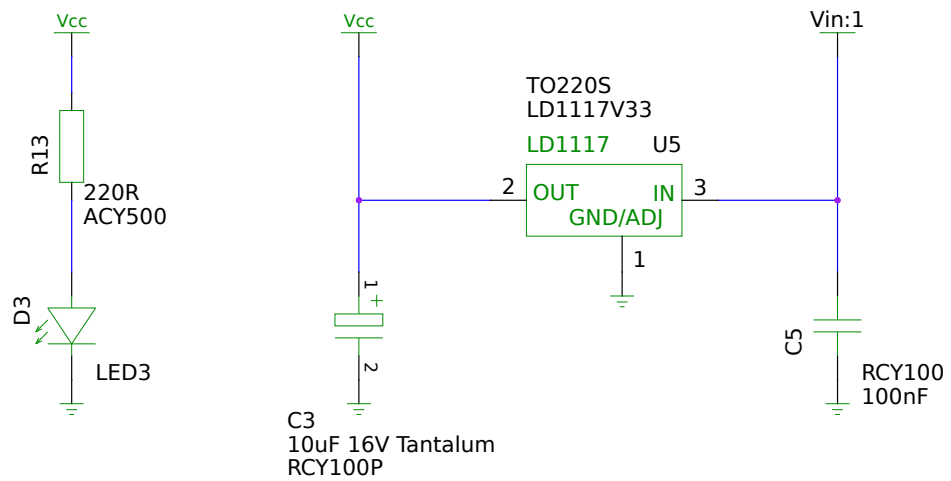


### Power Input

### ZeroCAT Dev Kit

Put the fun back into hardware development!  
[git://zerocat.org/zerocat/projects/zerocat-dev-kit.git](https://github.com/zerocat/zerocat-dev-kit)

TITLE			
FILE:	multiboard-page06.sch	REVISION:	2117b7b4b (master)
PAGE	OF	DRAWN BY:	

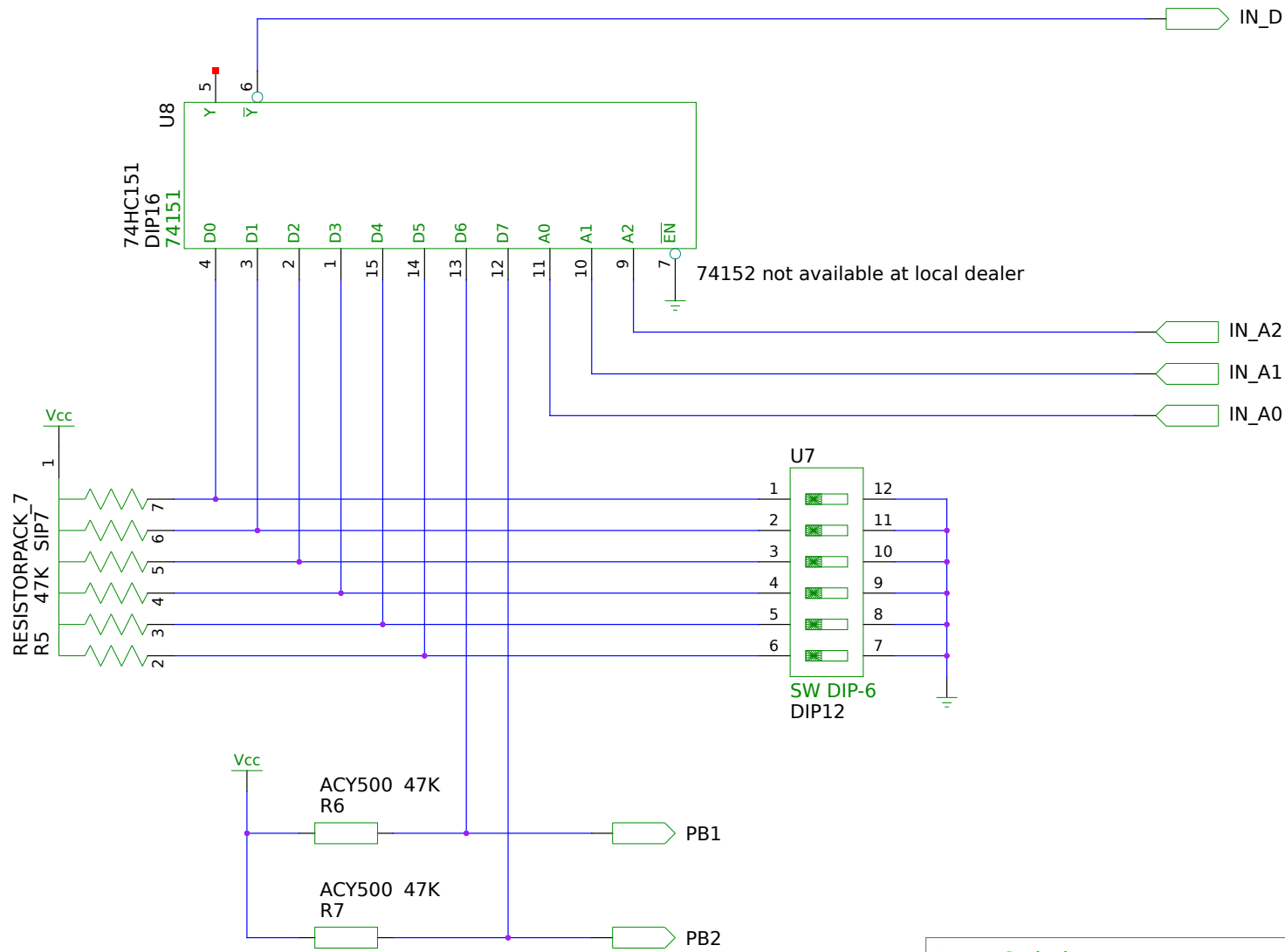


## Voltage Regulator

## Zerocat Dev Kit

Put the fun back into hardware development!  
[git://zerocat.org/zerocat/projects/zerocat-dev-kit.git](https://zerocat.org/zerocat/projects/zerocat-dev-kit.git)

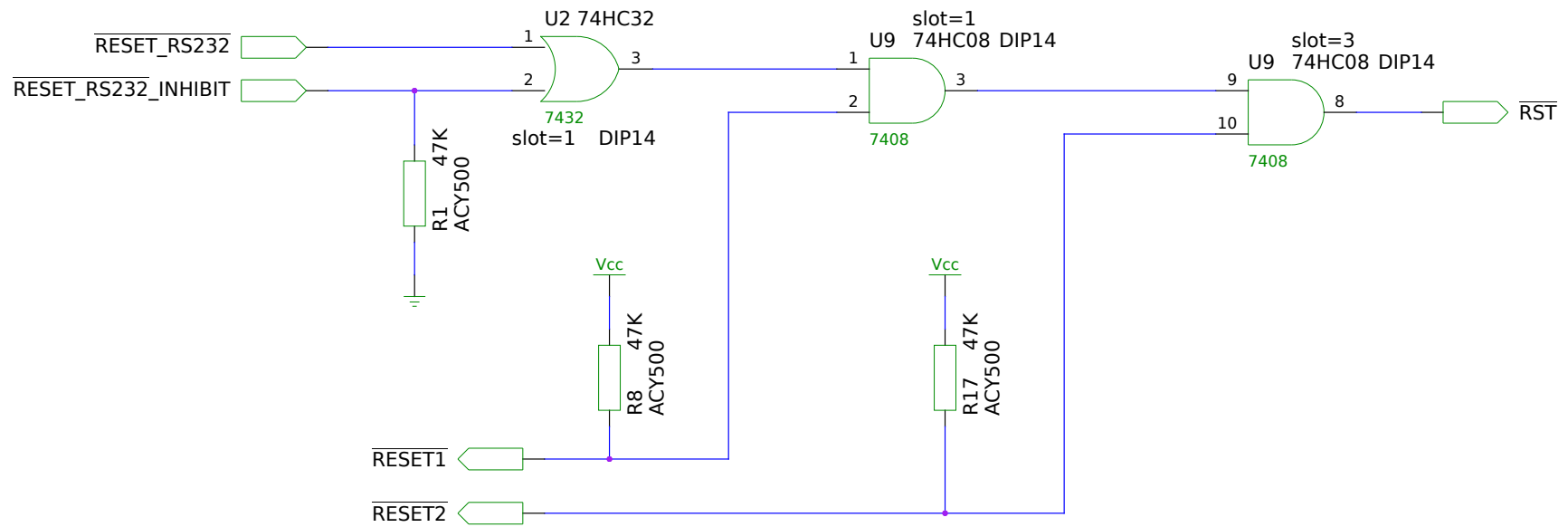
TITLE		
FILE:	multiboard-page07.sch	REVISION:
PAGE	OF	DRAWN BY:
		2117b7b4b (master)



74152 not available at local dealer

<b>Input Switches</b>		<b>ZeroCat Dev Kit</b>	
Put the fun back into hardware development!		git://zerocat.org/zerocat/projects/zerocat-dev-kit.git	
TITLE		REVISION:	2117b7b4b (master)
FILE:	multiboard-page08.sch	DRAWN BY:	
PAGE	OF		





## Reset Circuit

## Zerocat Dev Kit

Put the fun back into hardware development!  
[git://zerocat.org/zerocat/projects/zerocat-dev-kit.git](https://zerocat.org/zerocat/projects/zerocat-dev-kit.git)

TITLE

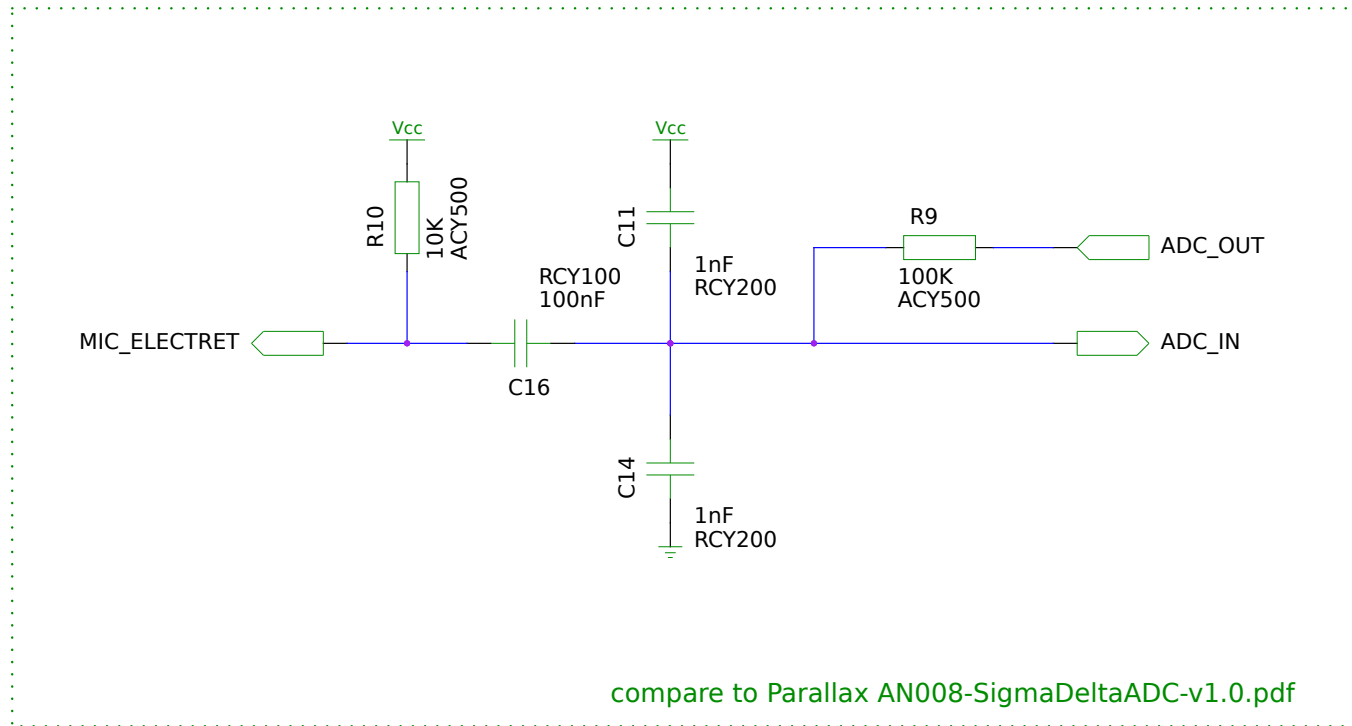
FILE: multiboard-page09.sch

REVISION: 2117b7b4b (master)

PAGE

OF

DRAWN BY:

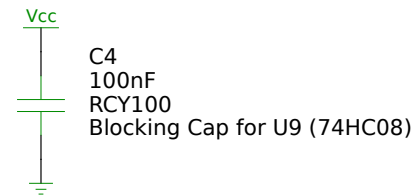
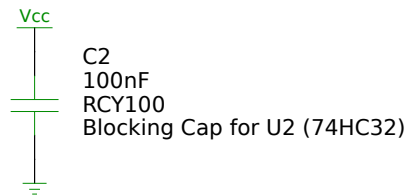
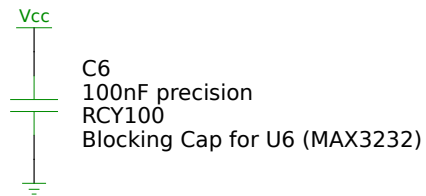
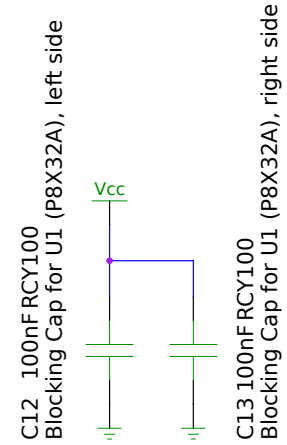
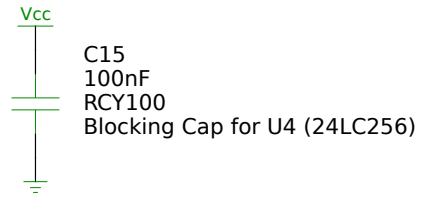
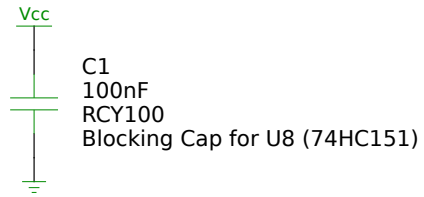


### ADC (AC in) Circuit

### Zerocat Dev Kit

Put the fun back into hardware development!  
[git://zerocat.org/zerocat/projects/zerocat-dev-kit.git](https://zerocat.org/zerocat/projects/zerocat-dev-kit.git)

TITLE		
FILE:	multiboard-page10.sch	REVISION:
PAGE	OF	DRAWN BY:
		2117b7b4b (master)

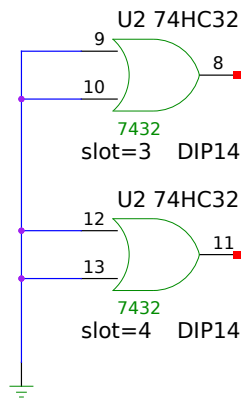


## Blocking Capacitors

## Zerocat Dev Kit

Put the fun back into hardware development!  
[git://zerocat.org/zerocat/projects/zerocat-dev-kit.git](https://zerocat.org/zerocat/projects/zerocat-dev-kit.git)

TITLE		
FILE:	multiboard-page11.sch	REVISION: 2117b7b4b (master)
PAGE	OF	DRAWN BY:



### Spare ICs, unused slots, etc.

### Zerocat Dev Kit

Put the fun back into hardware development!  
[git://zerocat.org/zerocat/projects/zerocat-dev-kit.git](https://zerocat.org/zerocat/projects/zerocat-dev-kit.git)

TITLE		
FILE:	multiboard-page12.sch	REVISION: 2117b7b4b (master)
PAGE	OF	DRAWN BY: