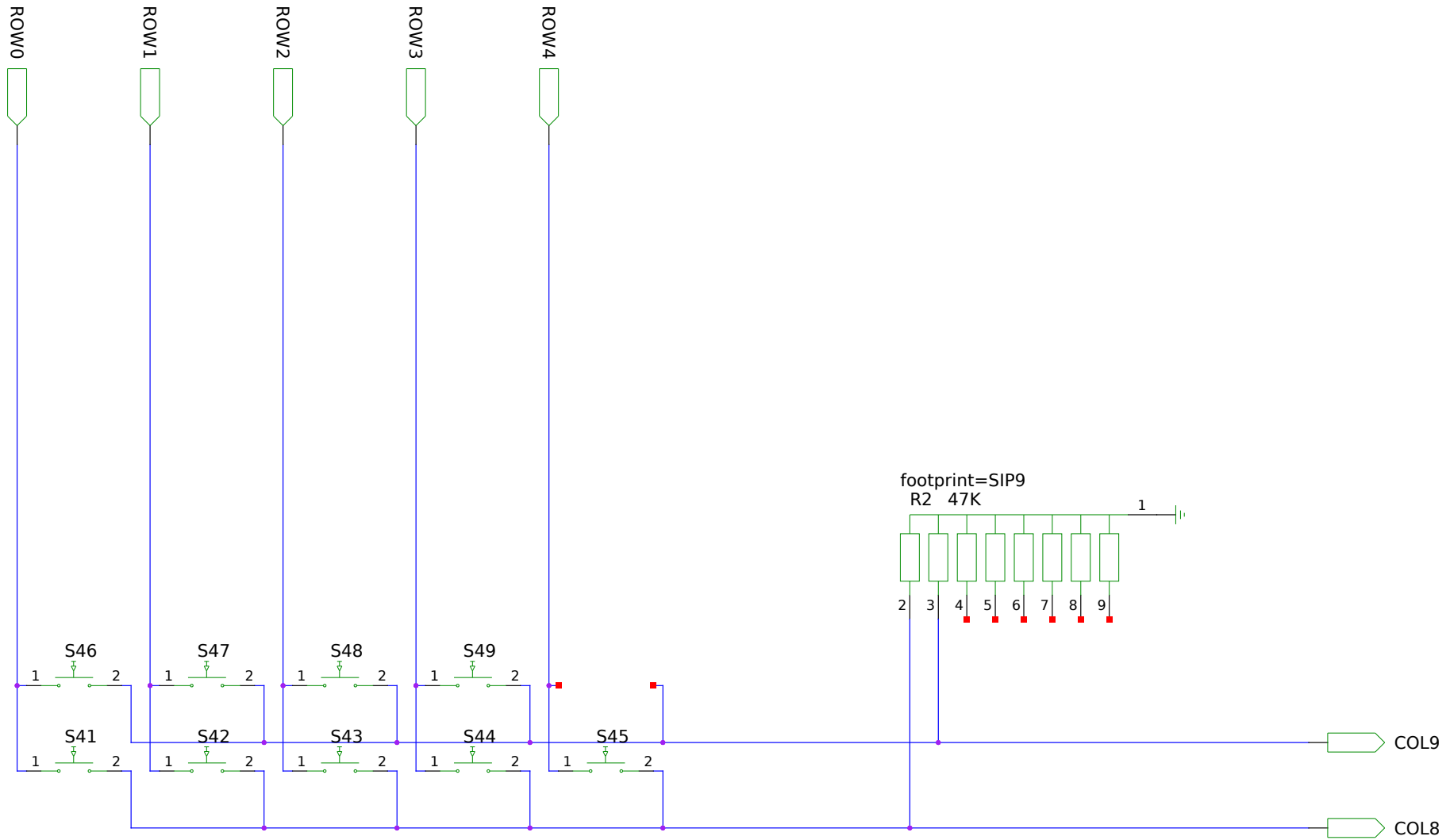
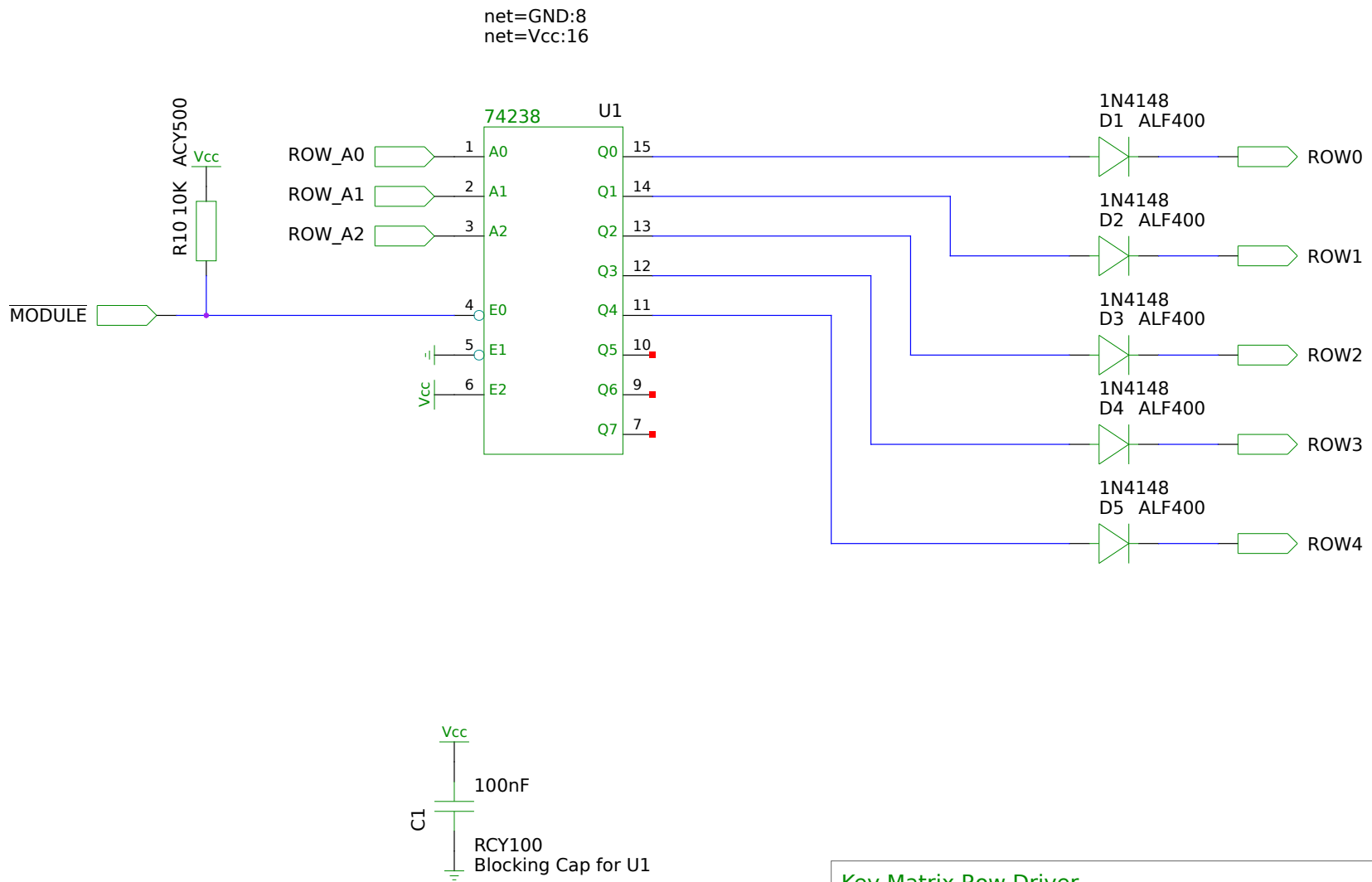


| | | | |
|---------------------|-------------------|---|--------------------|
| Key Matrix 0 | | Zerocat Dev Kit | |
| TITLE | | Put the fun back into hardware development! git://zerocat.org/zerocat/projects/zerocat-dev-kit.git | |
| FILE: | keypad-page01.sch | REVISION: | 2117b7b4b (master) |
| PAGE | OF | DRAWN BY: | |



| | | | |
|---------------------|-------------------|---|--------------------|
| Key Matrix 1 | | Zerocat Dev Kit | |
| TITLE | | Put the fun back into hardware development! git://zerocat.org/zerocat/projects/zerocat-dev-kit.git | |
| FILE: | keypad-page02.sch | REVISION: | 2117b7b4b (master) |
| PAGE | OF | DRAWN BY: | |

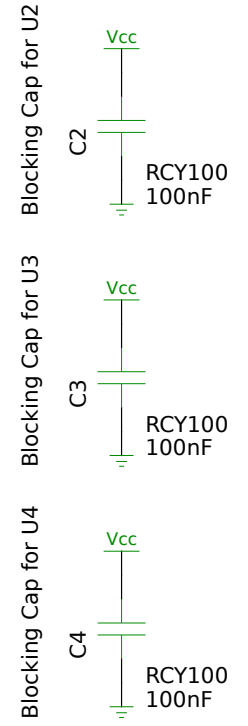
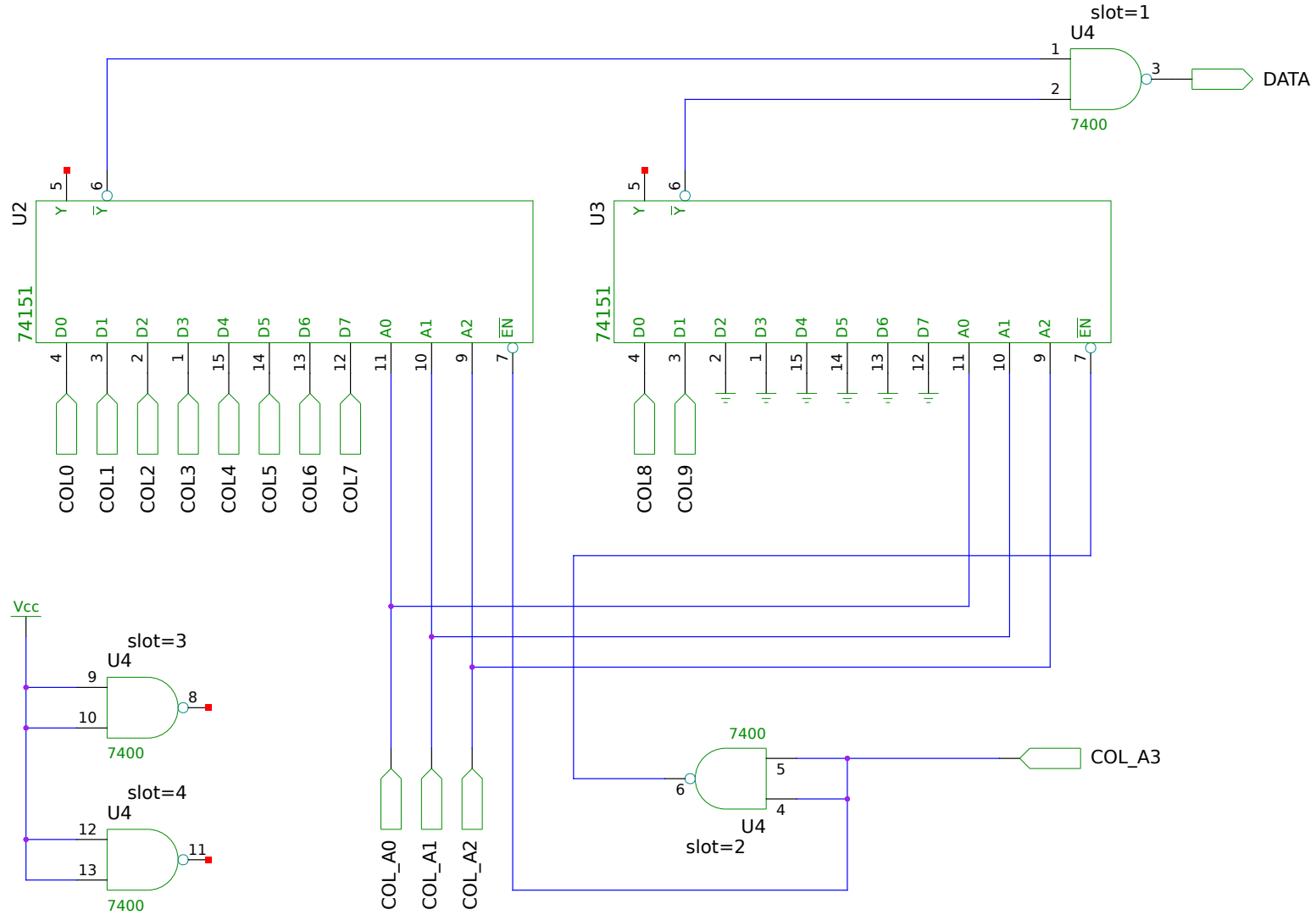


Key Matrix Row Driver

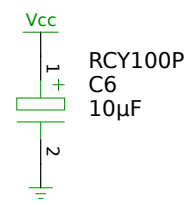
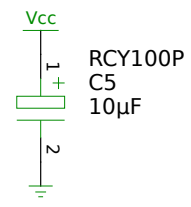
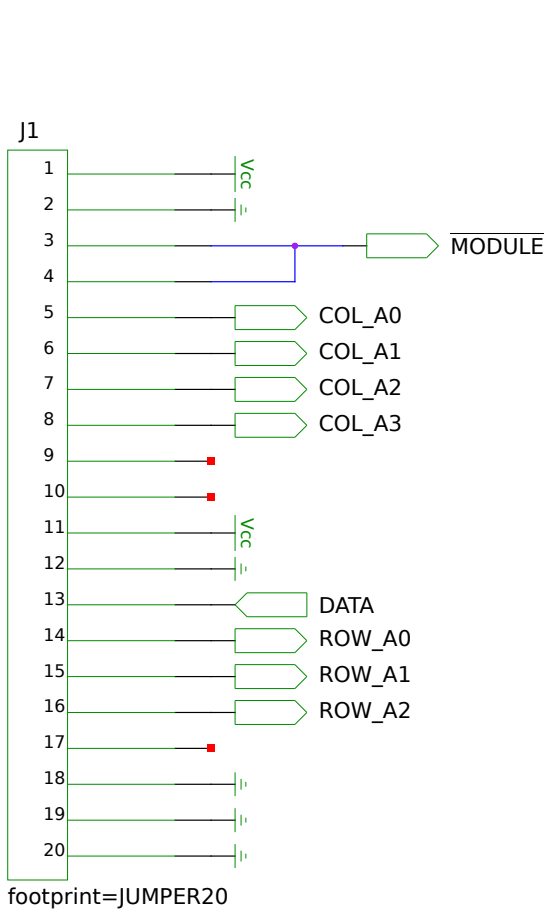
Zerocat Dev Kit

Put the fun back into hardware development!
[git://zerocat.org/zerocat/projects/zerocat-dev-kit.git](https://zerocat.org/zerocat/projects/zerocat-dev-kit.git)

| | | |
|-------|-------------------|------------------------------|
| TITLE | | |
| FILE: | keypad-page03.sch | REVISION: 2117b7b4b (master) |
| PAGE | OF | DRAWN BY: |



| Key Matrix Column Driver | | Zerocat Dev Kit | |
|--------------------------|---|-----------------|--------------------|
| TITLE | Put the fun back into hardware development! git://zerocat.org/zerocat/projects/zerocat-dev-kit.git | | |
| FILE: | keypad-page04.sch | REVISION: | 2117b7b4b (master) |
| PAGE | OF | DRAWN BY: | |



Keypad Connector

Zerocat Dev Kit

Put the fun back into hardware development!
[git://zerocat.org/zerocat/projects/zerocat-dev-kit.git](https://zerocat.org/zerocat/projects/zerocat-dev-kit.git)

| | | |
|-------|-------------------|------------------------------|
| TITLE | | |
| FILE: | keypad-page05.sch | REVISION: 2117b7b4b (master) |
| PAGE | OF | DRAWN BY: |