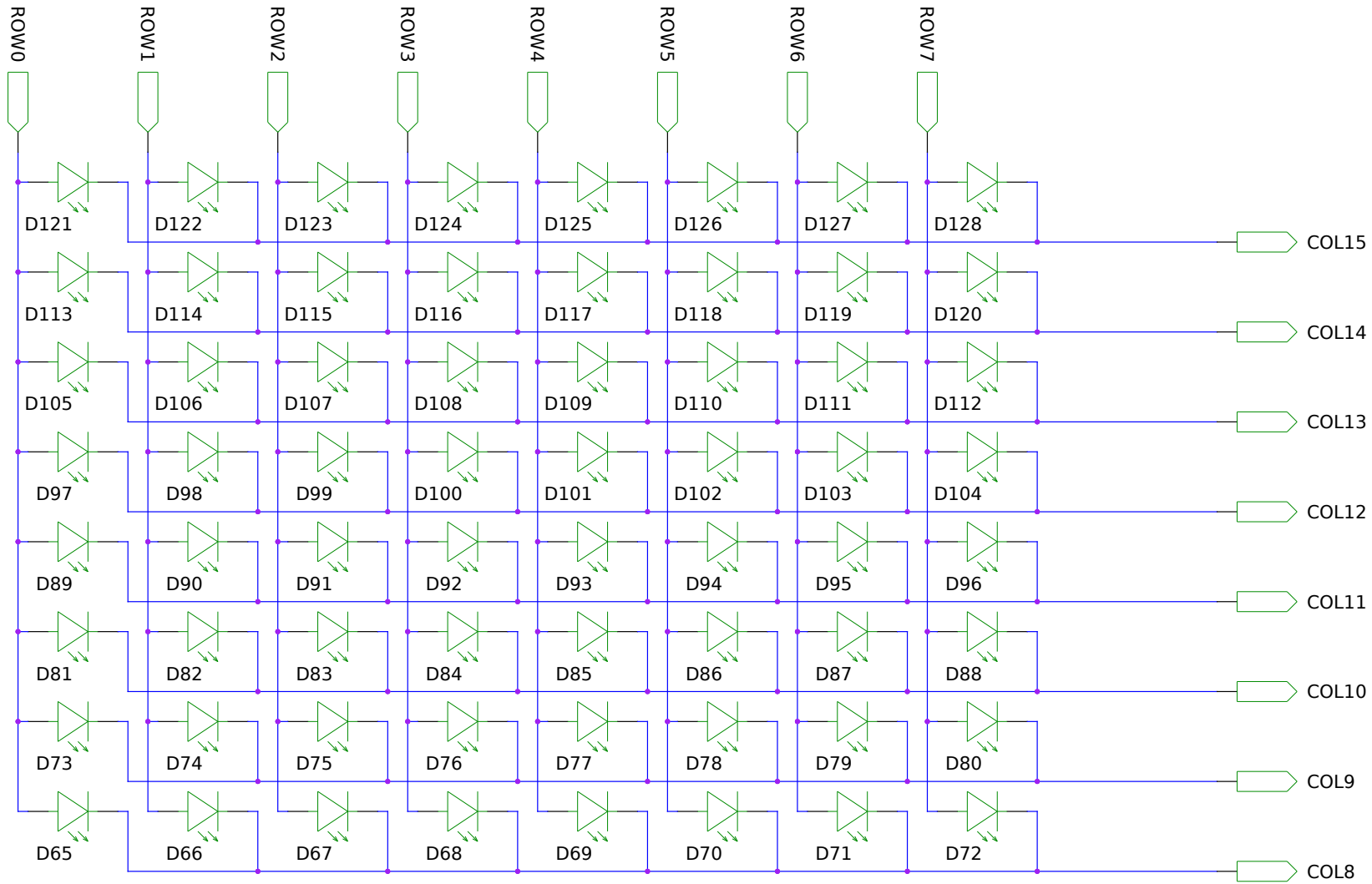
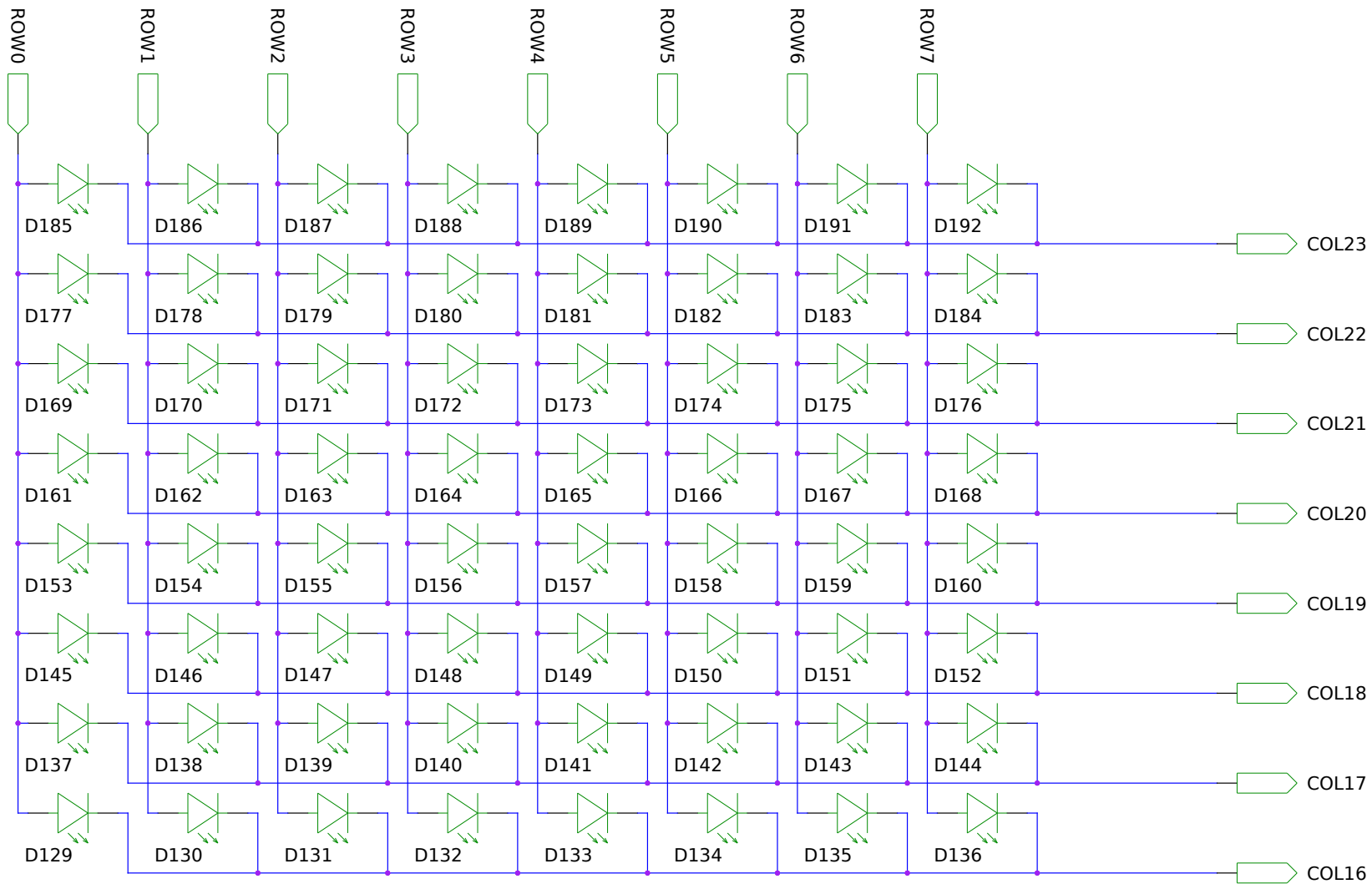


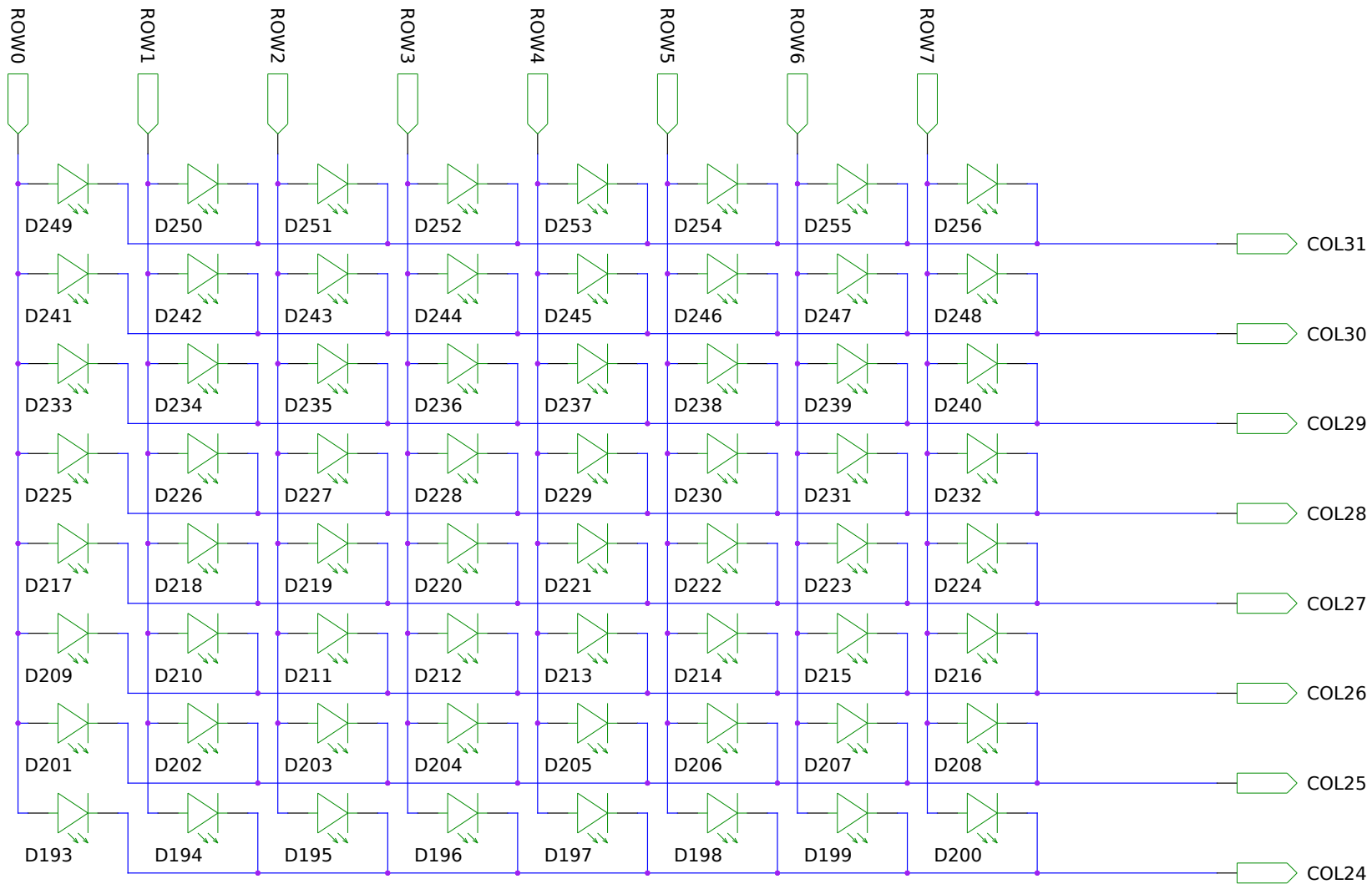
LED Matrix Character 0:0		Zerocat Dev Kit	
TITLE		Put the fun back into hardware development! git://zerocat.org/zerocat/projects/zerocat-dev-kit.git	
FILE:	display8x64-page01.sch	REVISION:	2117b7b4b (master)
PAGE	OF	DRAWN BY:	



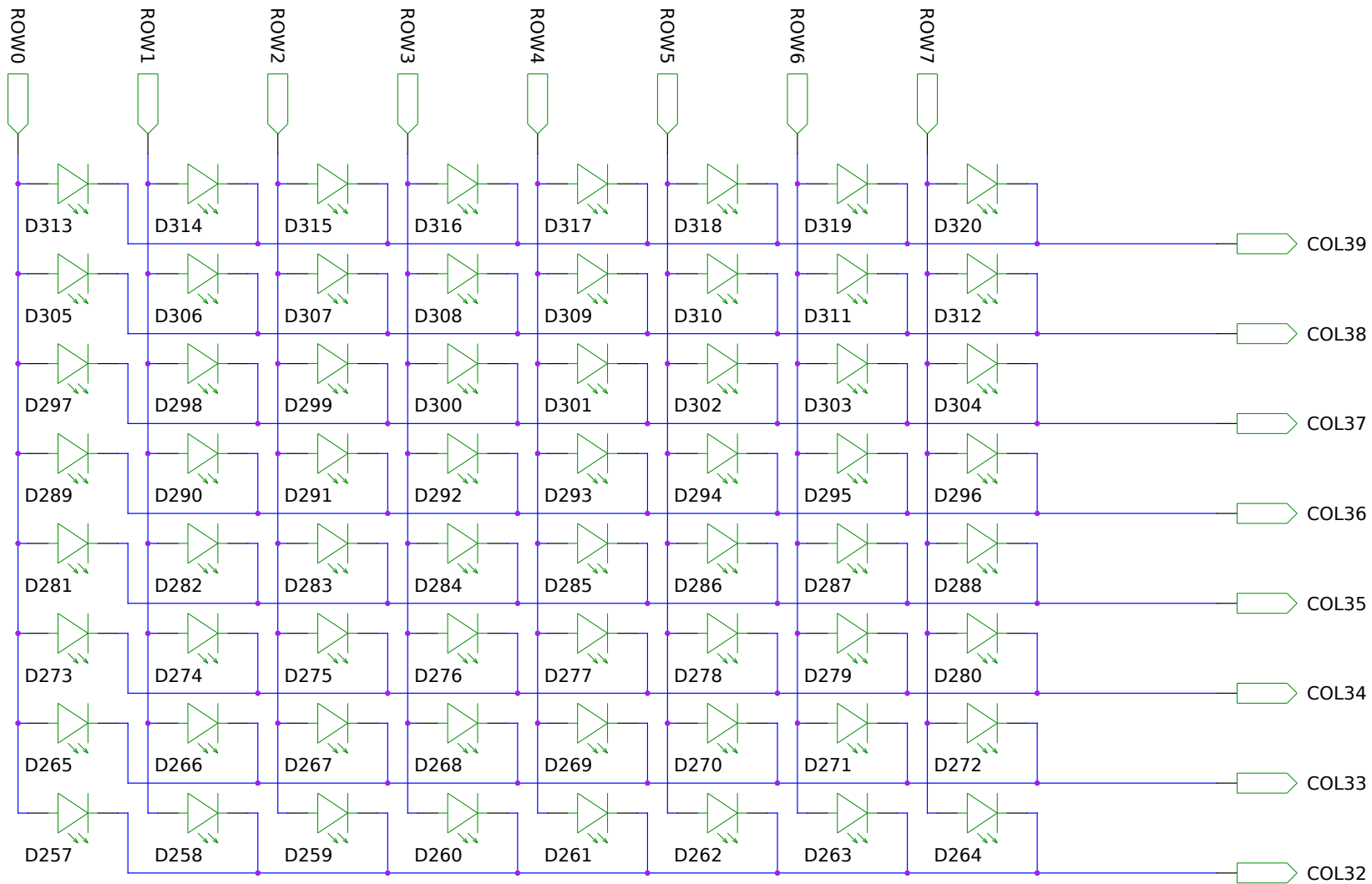
LED Matrix Character 0:1		Zerocat Dev Kit	
TITLE		Put the fun back into hardware development! git://zerocat.org/zerocat/projects/zerocat-dev-kit.git	
FILE:	display8x64-page02.sch	REVISION:	2117b7b4b (master)
PAGE	OF	DRAWN BY:	



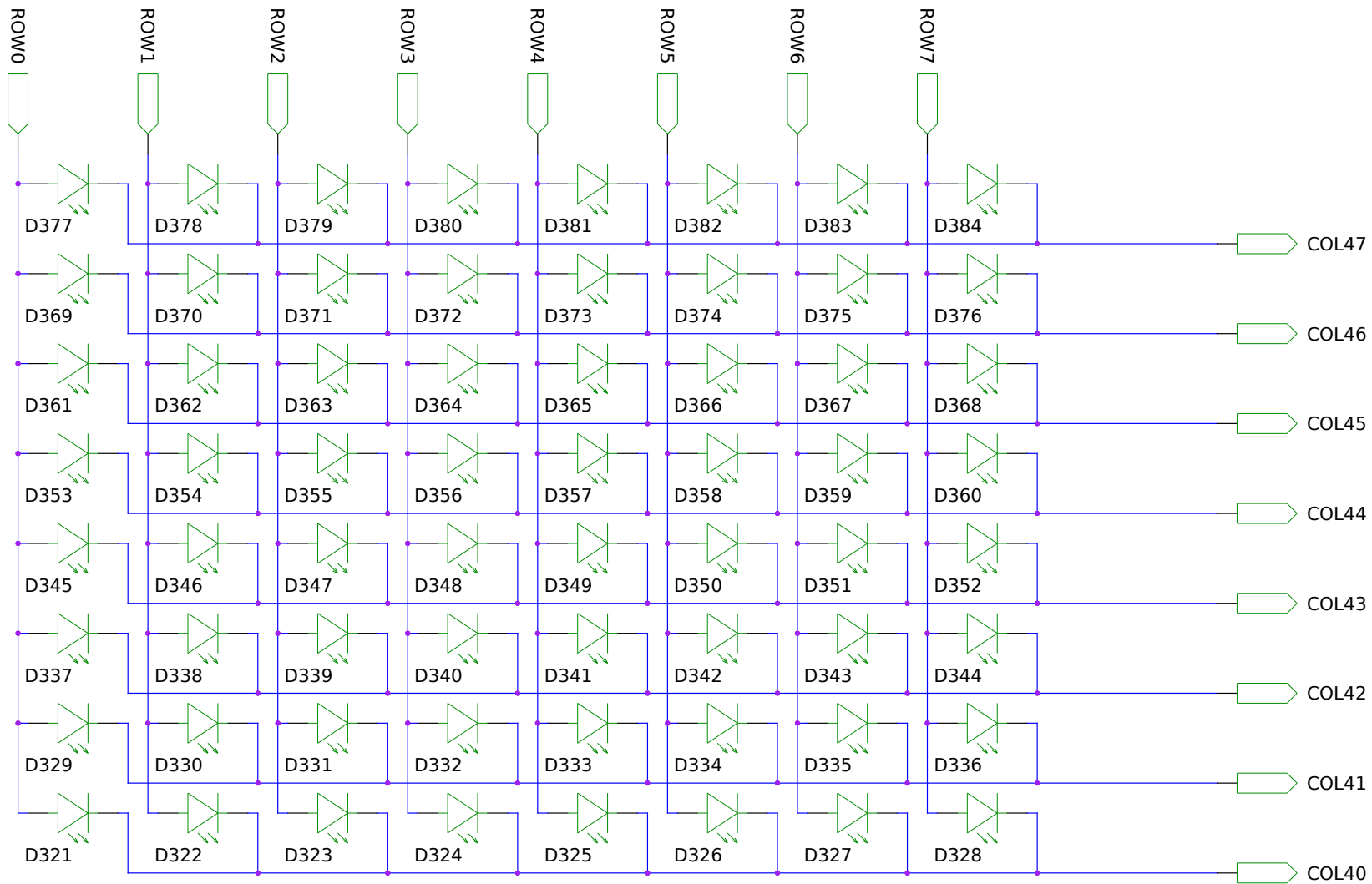
LED Matrix Character 0:2		Zerocat Dev Kit	
TITLE		Put the fun back into hardware development! git://zerocat.org/zerocat/projects/zerocat-dev-kit.git	
FILE:	display8x64-page03.sch	REVISION:	2117b7b4b (master)
PAGE	OF	DRAWN BY:	



LED Matrix Character 0:3		Zerocat Dev Kit	
Put the fun back into hardware development!		git://zerocat.org/zerocat/projects/zerocat-dev-kit.git	
TITLE		REVISION:	2117b7b4b (master)
FILE:	display8x64-page04.sch	DRAWN BY:	
PAGE	OF		



LED Matrix Character 0:4		Zerocat Dev Kit	
TITLE		Put the fun back into hardware development! git://zerocat.org/zerocat/projects/zerocat-dev-kit.git	
FILE:	display8x64-page05.sch	REVISION:	2117b7b4b (master)
PAGE	OF	DRAWN BY:	

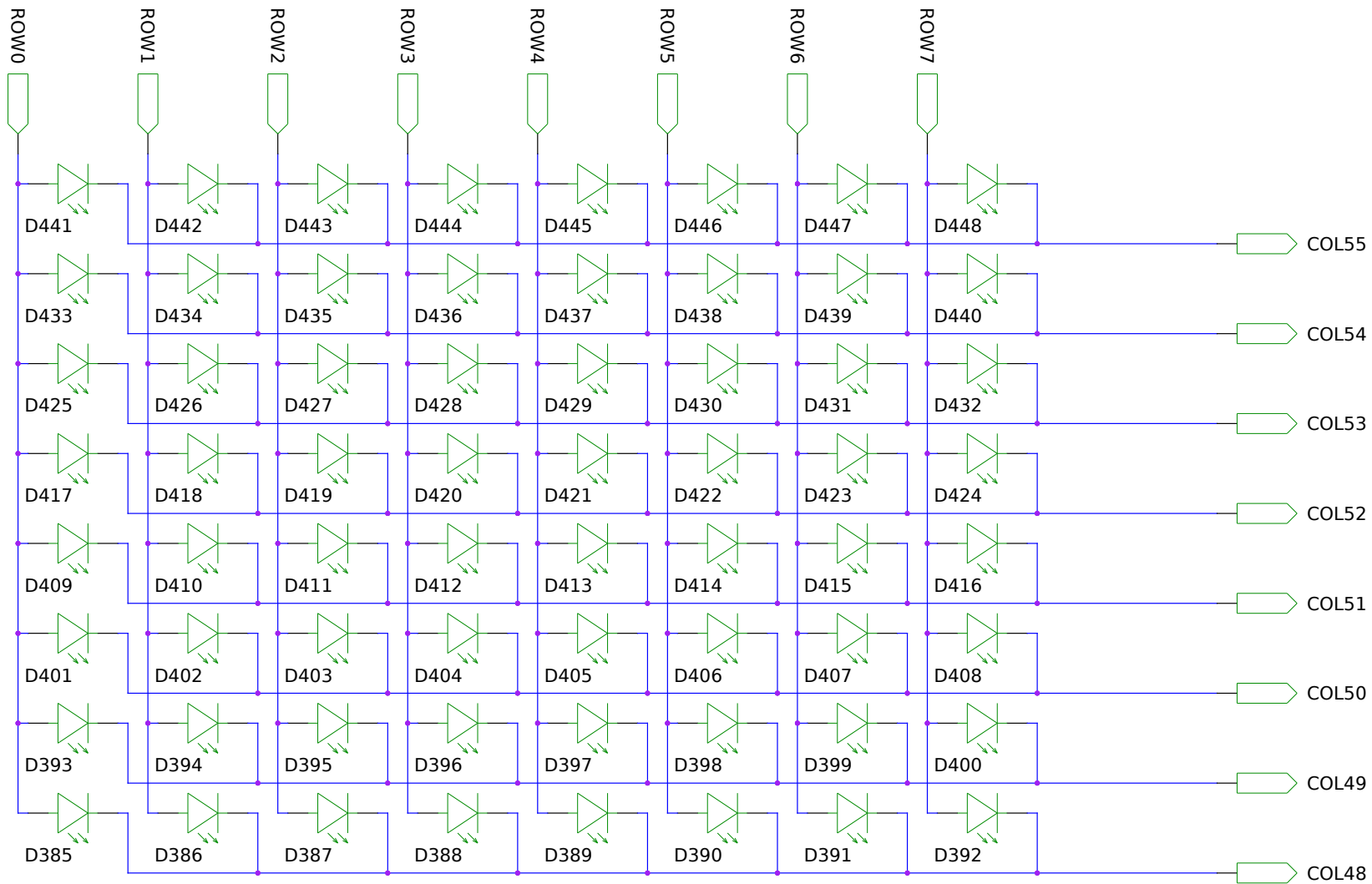


LED Matrix Character 0:5

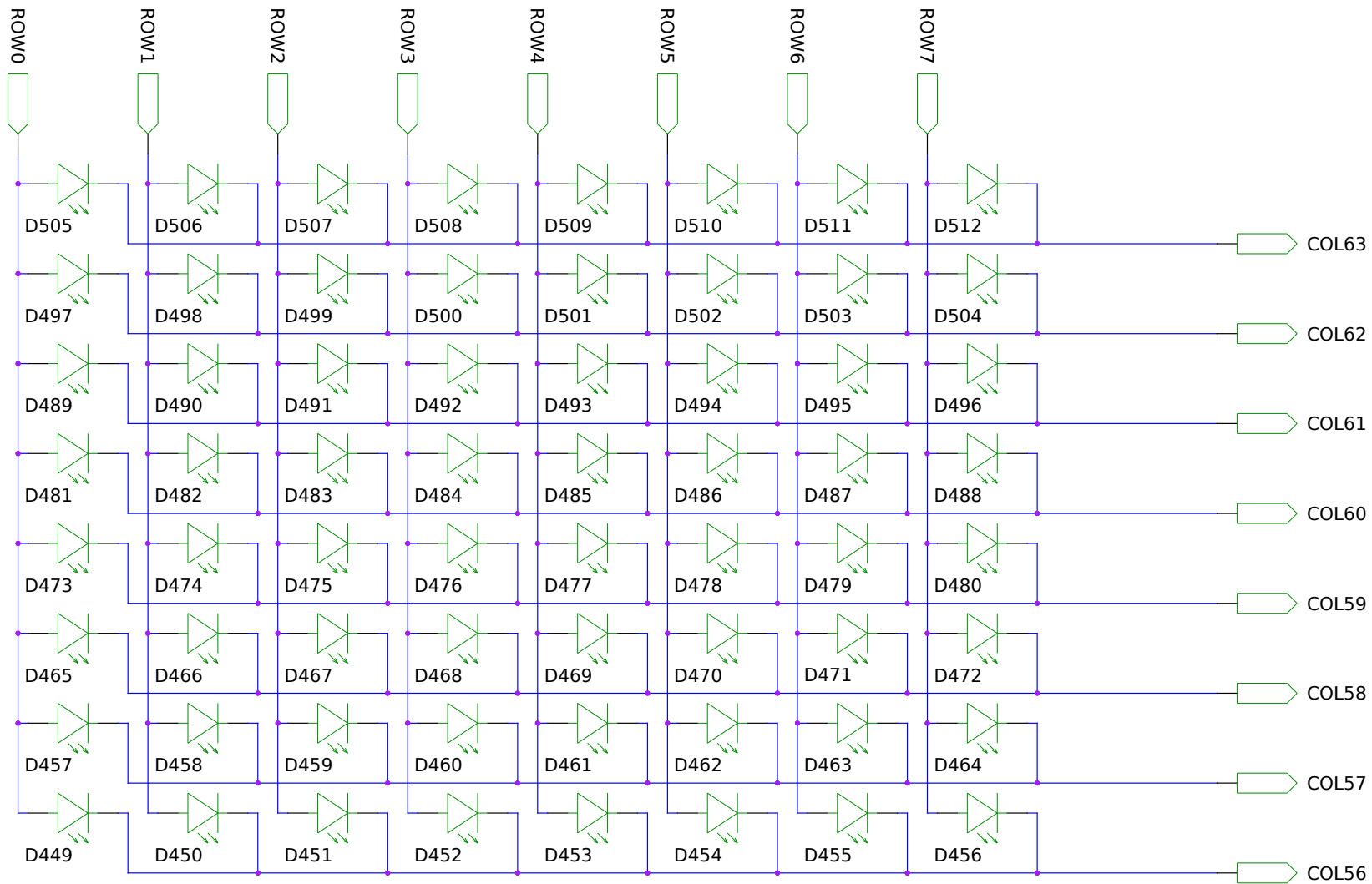
Zerocat Dev Kit

Put the fun back into hardware development!
[git://zerocat.org/zerocat/projects/zerocat-dev-kit.git](https://zerocat.org/zerocat/projects/zerocat-dev-kit.git)

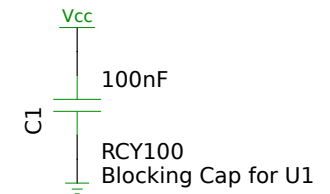
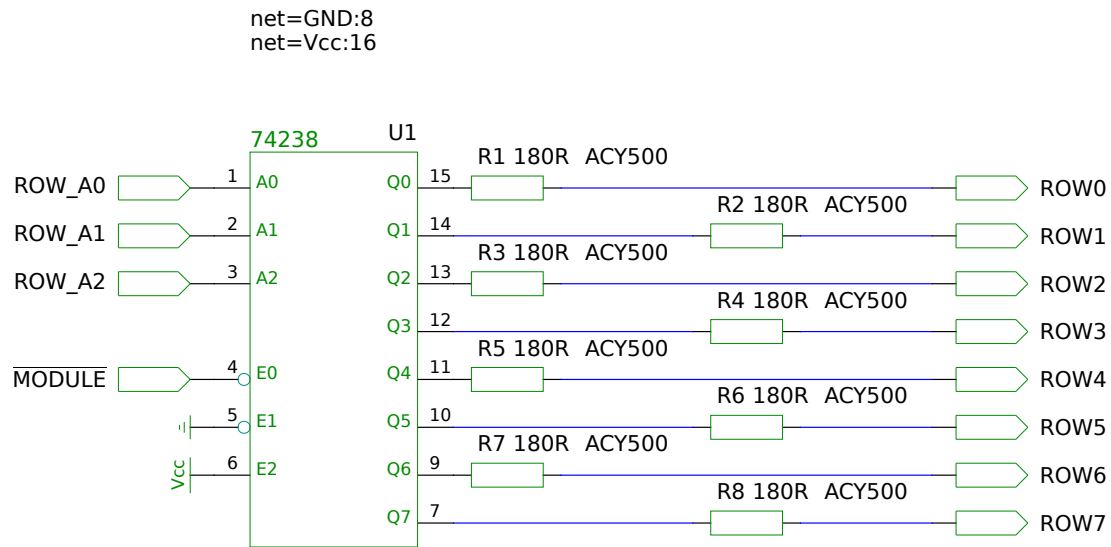
TITLE		
FILE:	display8x64-page06.sch	REVISION: 2117b7b4b (master)
PAGE	OF	DRAWN BY:



LED Matrix Character 0:6		Zerocat Dev Kit	
TITLE		Put the fun back into hardware development! git://zerocat.org/zerocat/projects/zerocat-dev-kit.git	
FILE:	display8x64-page07.sch	REVISION:	2117b7b4b (master)
PAGE	OF	DRAWN BY:	



LED Matrix Character 0:7		Zerocat Dev Kit	
TITLE		Put the fun back into hardware development! git://zerocat.org/zerocat/projects/zerocat-dev-kit.git	
FILE:	display8x64-page08.sch	REVISION:	2117b7b4b (master)
PAGE	OF	DRAWN BY:	



LED Matrix Row Driver

Zerocat Dev Kit

Put the fun back into hardware development!
[git://zerocat.org/projects/zerocat-dev-kit.git](https://zerocat.org/projects/zerocat-dev-kit.git)

TITLE

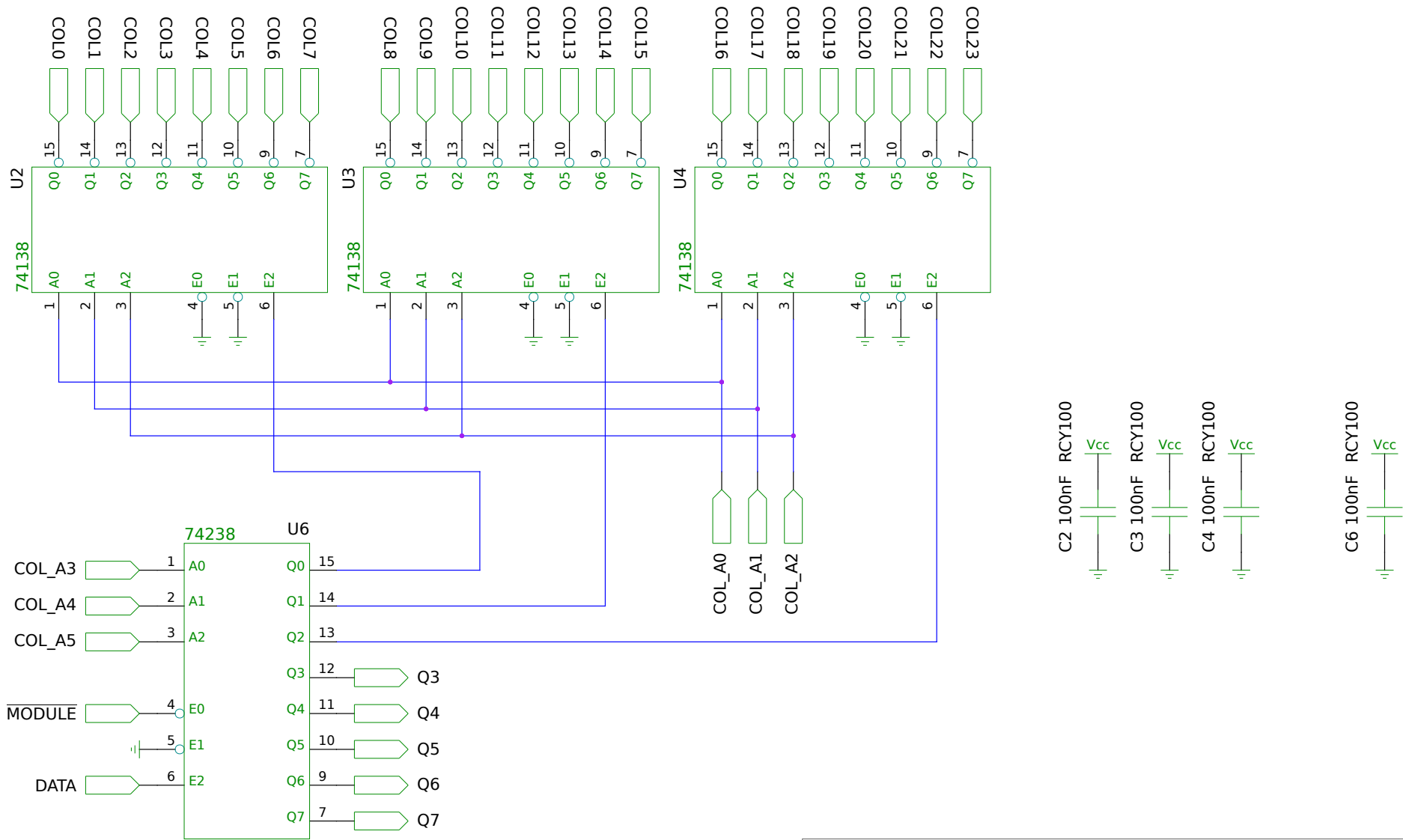
FILE: display8x64-page09.sch

REVISION: 2117b7b4b (master)

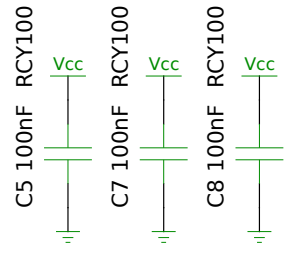
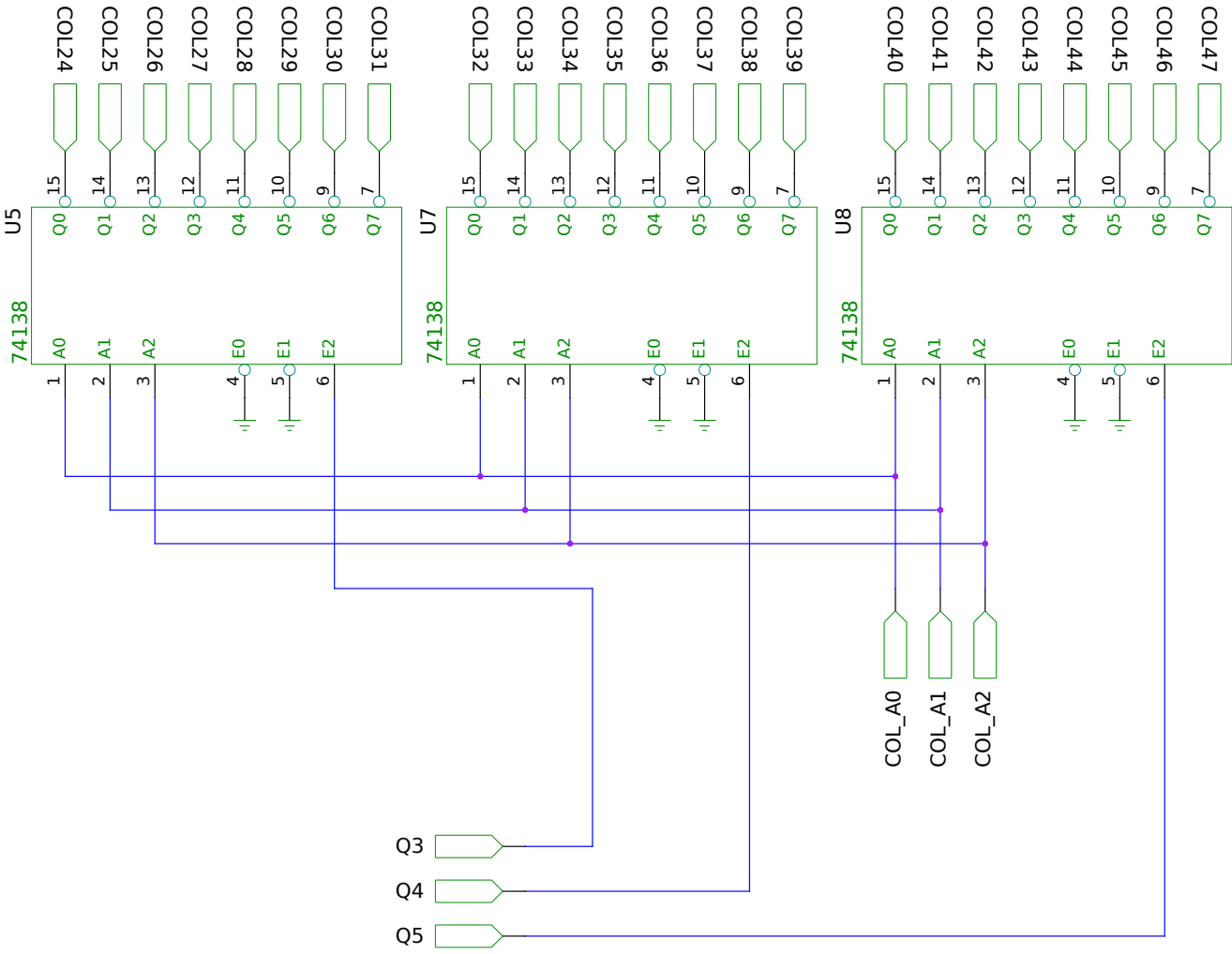
PAGE

OF

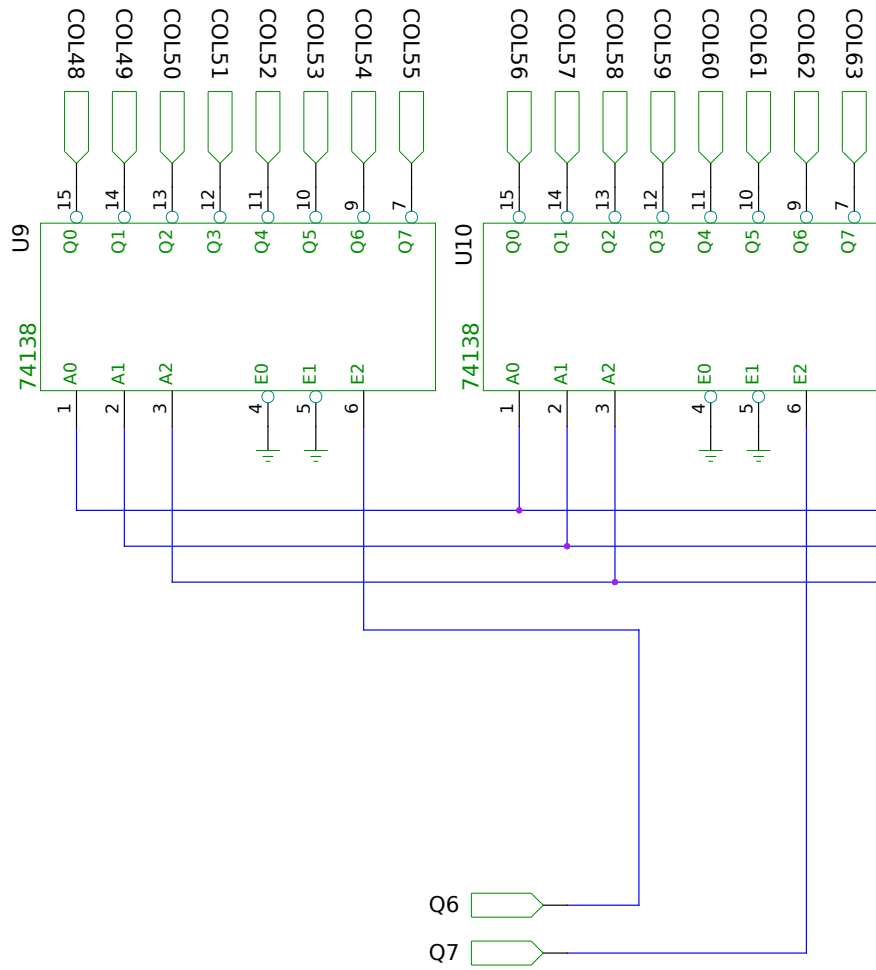
DRAWN BY:



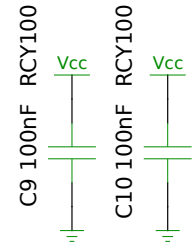
LED Matrix Driver Column 1-24		Zerocat Dev Kit	
		Put the fun back into hardware development! git://zerocat.org/zerocat/projects/zerocat-dev-kit.git	
FILE:	display8x64-page10.sch	REVISION:	2117b7b4b (master)
PAGE	OF	DRAWN BY:	



LED Matrix Driver Column 25-48		Zerocat Dev Kit	
		Put the fun back into hardware development! git://zerocat.org/zerocat/projects/zerocat-dev-kit.git	
TITLE		REVISION:	2117b7b4b (master)
FILE:	display8x64-page11.sch	DRAWN BY:	
PAGE	OF		



COL_A0
COL_A1
COL_A2

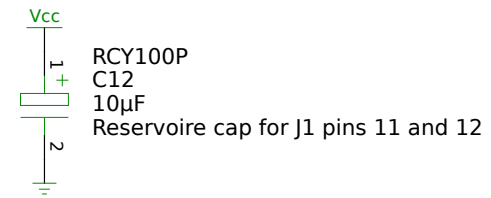
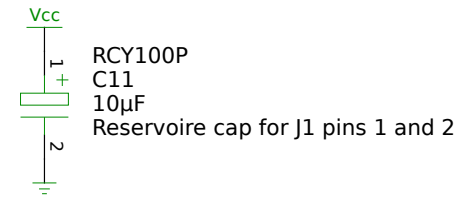
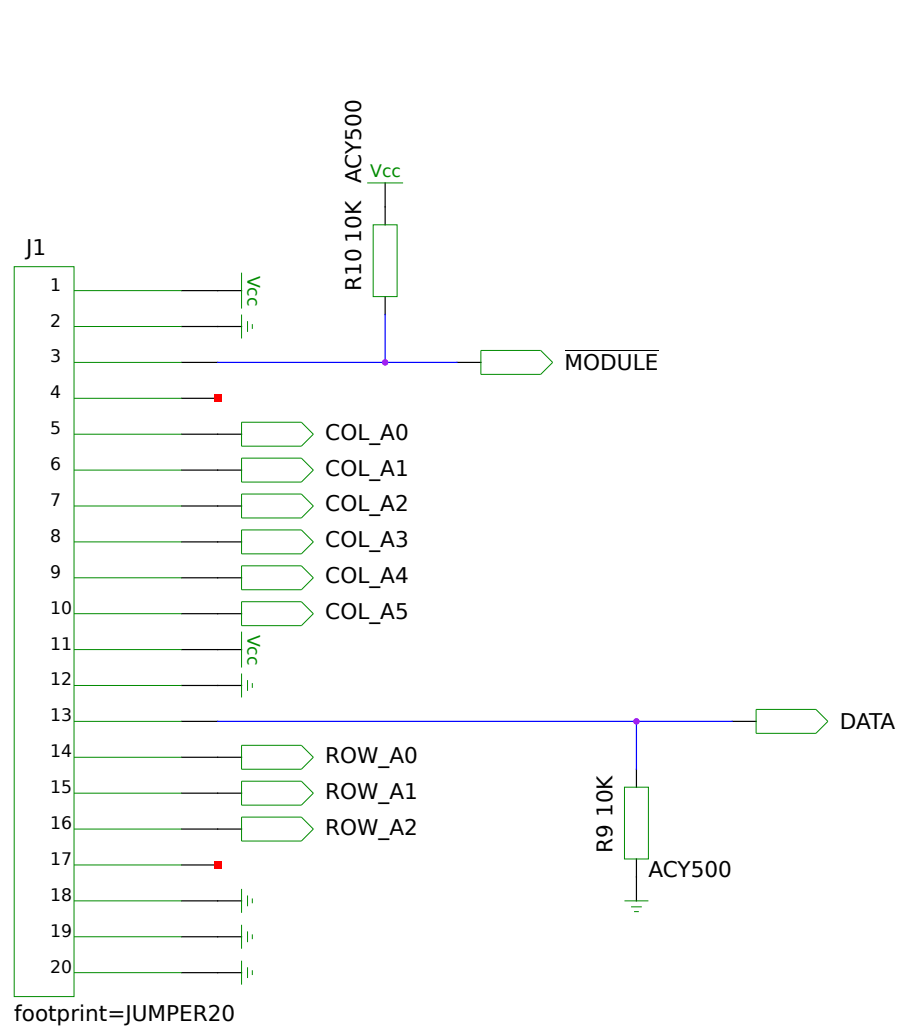


LED Matrix Driver Column 49-64

Zerocat Dev Kit

Put the fun back into hardware development!
[git://zerocat.org/zerocat/projects/zerocat-dev-kit.git](https://zerocat.org/zerocat/projects/zerocat-dev-kit.git)

TITLE		
FILE:	display8x64-page12.sch	REVISION: 2117b7b4b (master)
PAGE	OF	DRAWN BY:



Board Connector

Zerocat Dev Kit

Put the fun back into hardware development!
[git://zerocat.org/zerocat/projects/zerocat-dev-kit.git](https://zerocat.org/zerocat/projects/zerocat-dev-kit.git)

TITLE		
FILE:	display8x64-page13.sch	REVISION: 2117b7b4b (master)
PAGE	OF	DRAWN BY: