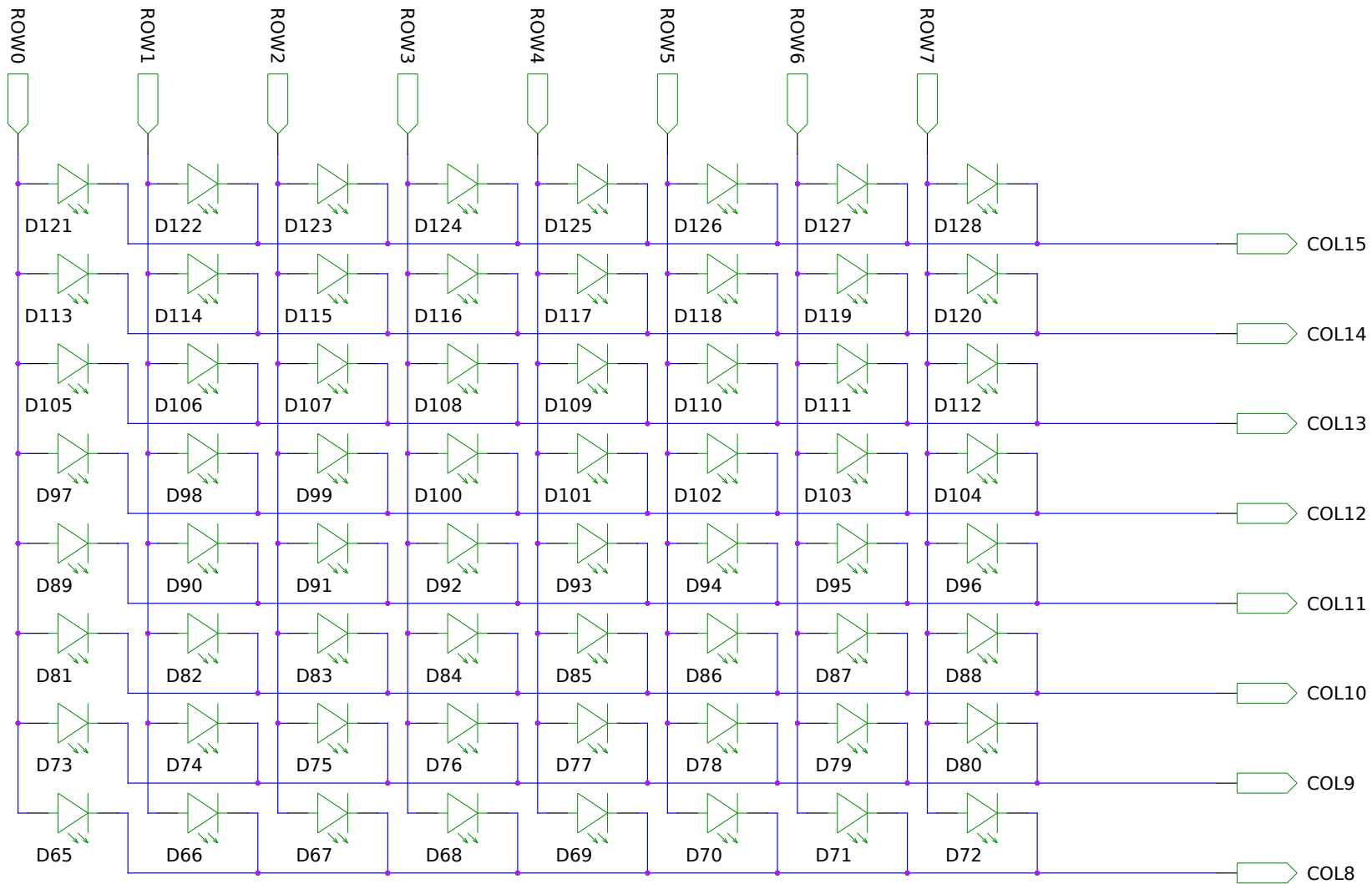


LED Matrix Character 0:0		Zerocat Dev Kit	
TITLE		Put the fun back into hardware development! git://zerocat.org/zerocat/projects/zerocat-dev-kit.git	
FILE:	display8x48-page01.sch	REVISION:	2117b7b4b (master)
PAGE	OF	DRAWN BY:	

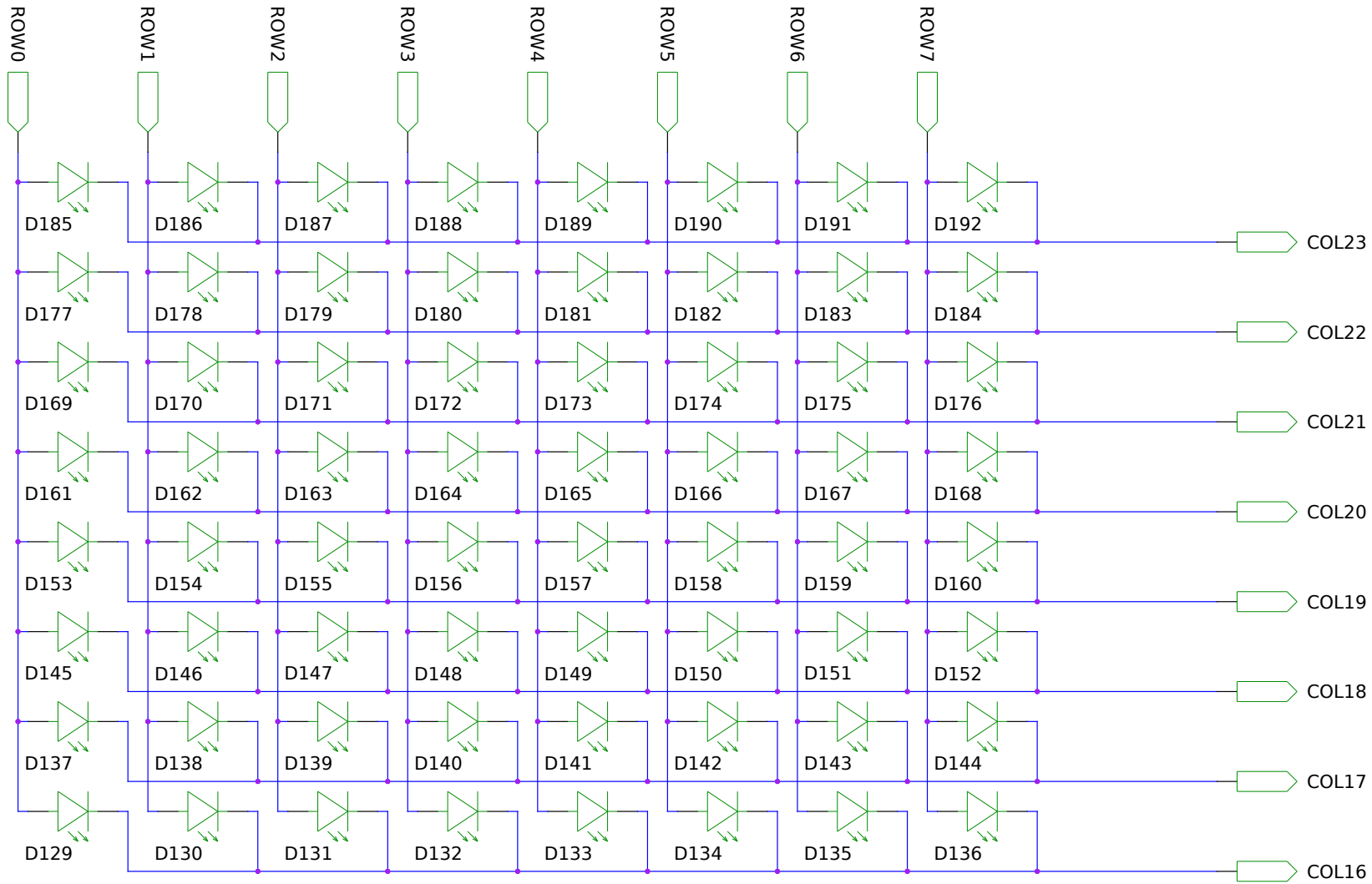


LED Matrix Character 0:1

Zerocat Dev Kit

Put the fun back into hardware development!
[git://zerocat.org/zerocat/projects/zerocat-dev-kit.git](https://zerocat.org/zerocat/projects/zerocat-dev-kit.git)

TITLE		
FILE:	display8x48-page02.sch	REVISION: 2117b7b4b (master)
PAGE	OF	DRAWN BY:

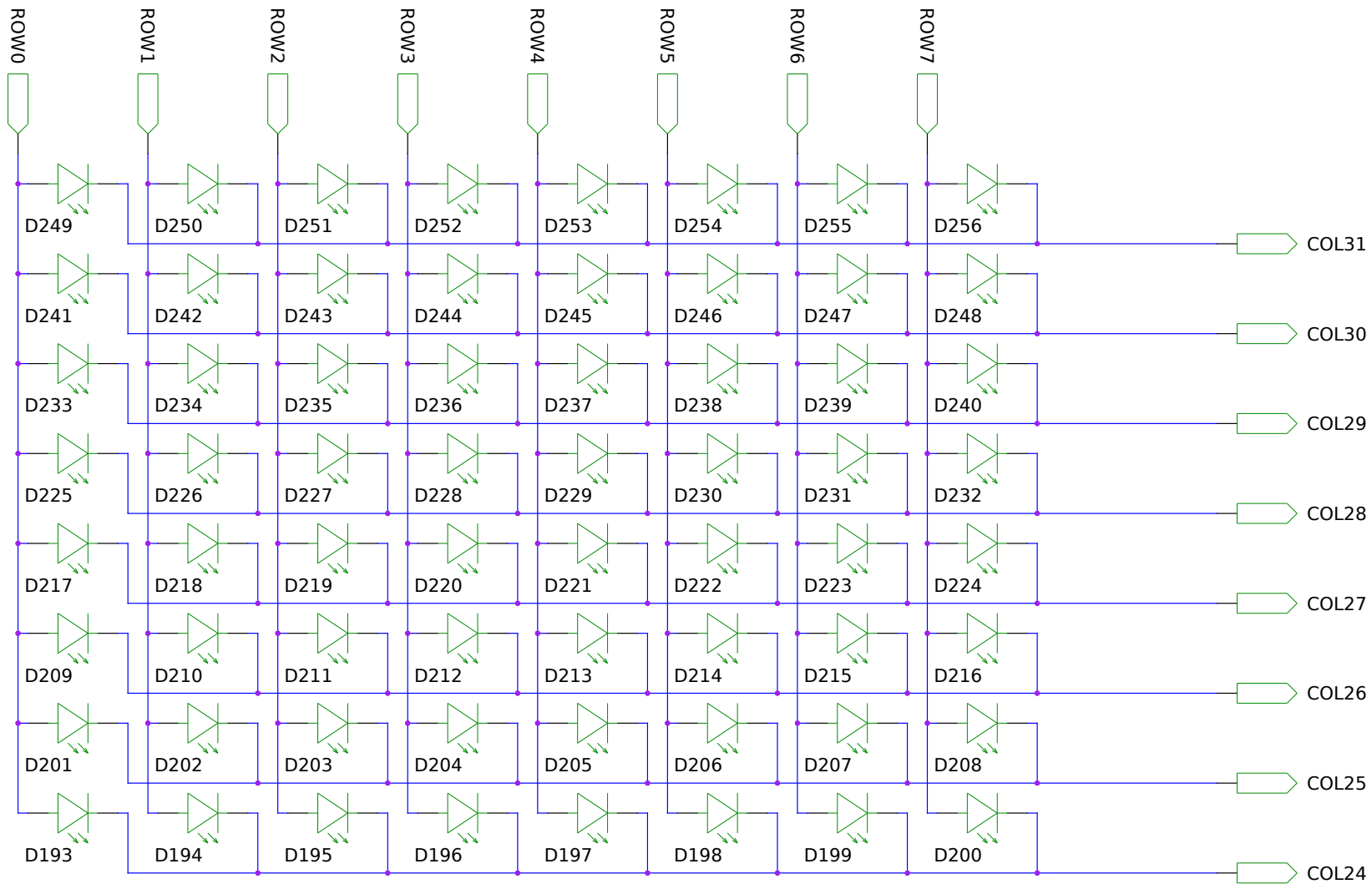


LED Matrix Character 0:2

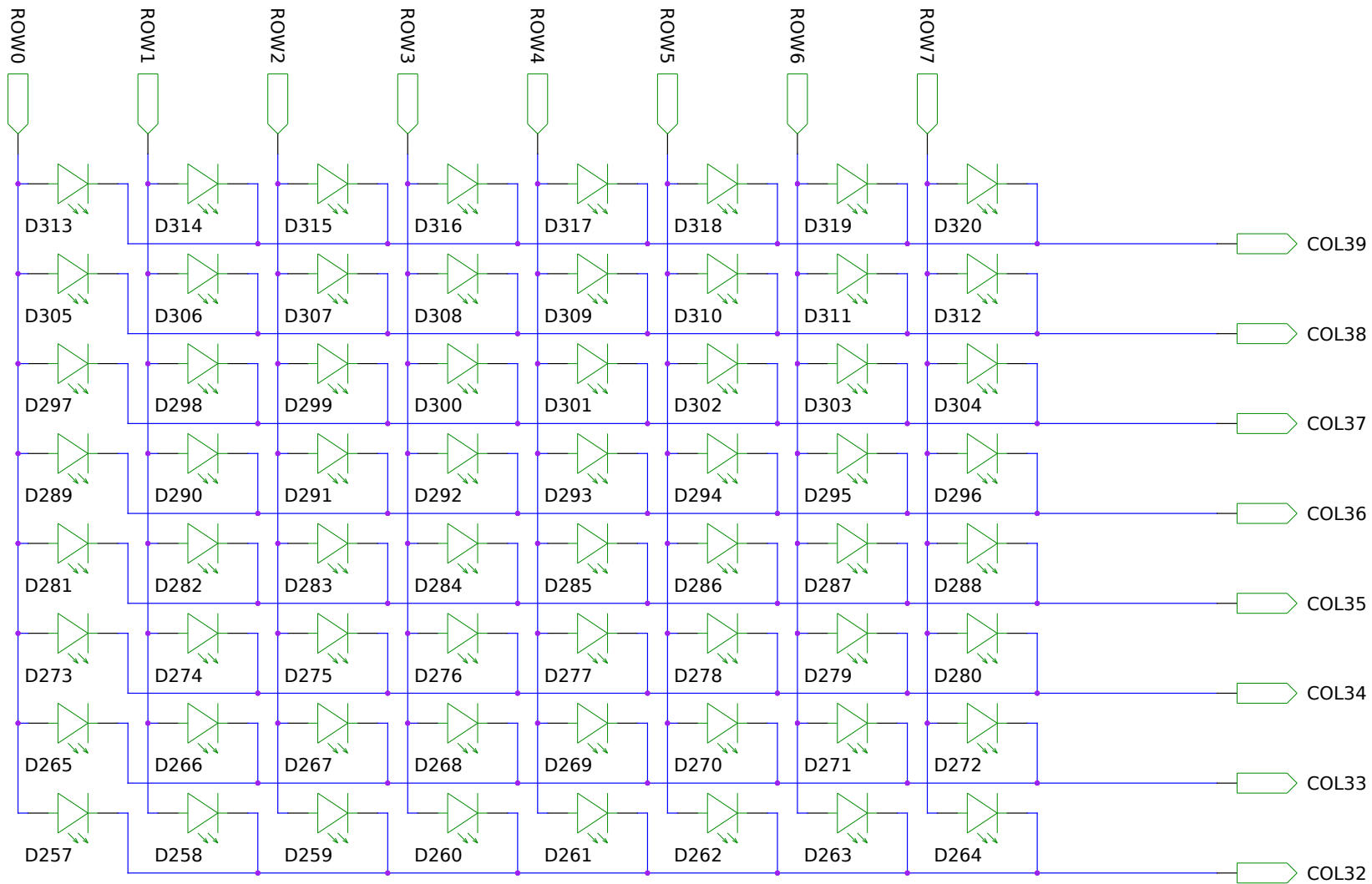
Zerocat Dev Kit

Put the fun back into hardware development!
[git://zerocat.org/zerocat/projects/zerocat-dev-kit](https://github.com/zercat/zerocat/projects/zerocat-dev-kit)

TITLE		
FILE:	display8x48-page03.sch	REVISION: 2117b7b4b (master)
PAGE	OF	DRAWN BY:



LED Matrix Character 0:3		Zerocat Dev Kit	
Put the fun back into hardware development!		git://zerocat.org/zerocat/projects/zerocat-dev-kit.git	
TITLE		REVISION:	2117b7b4b (master)
FILE:	display8x48-page04.sch	DRAWN BY:	
PAGE	OF		

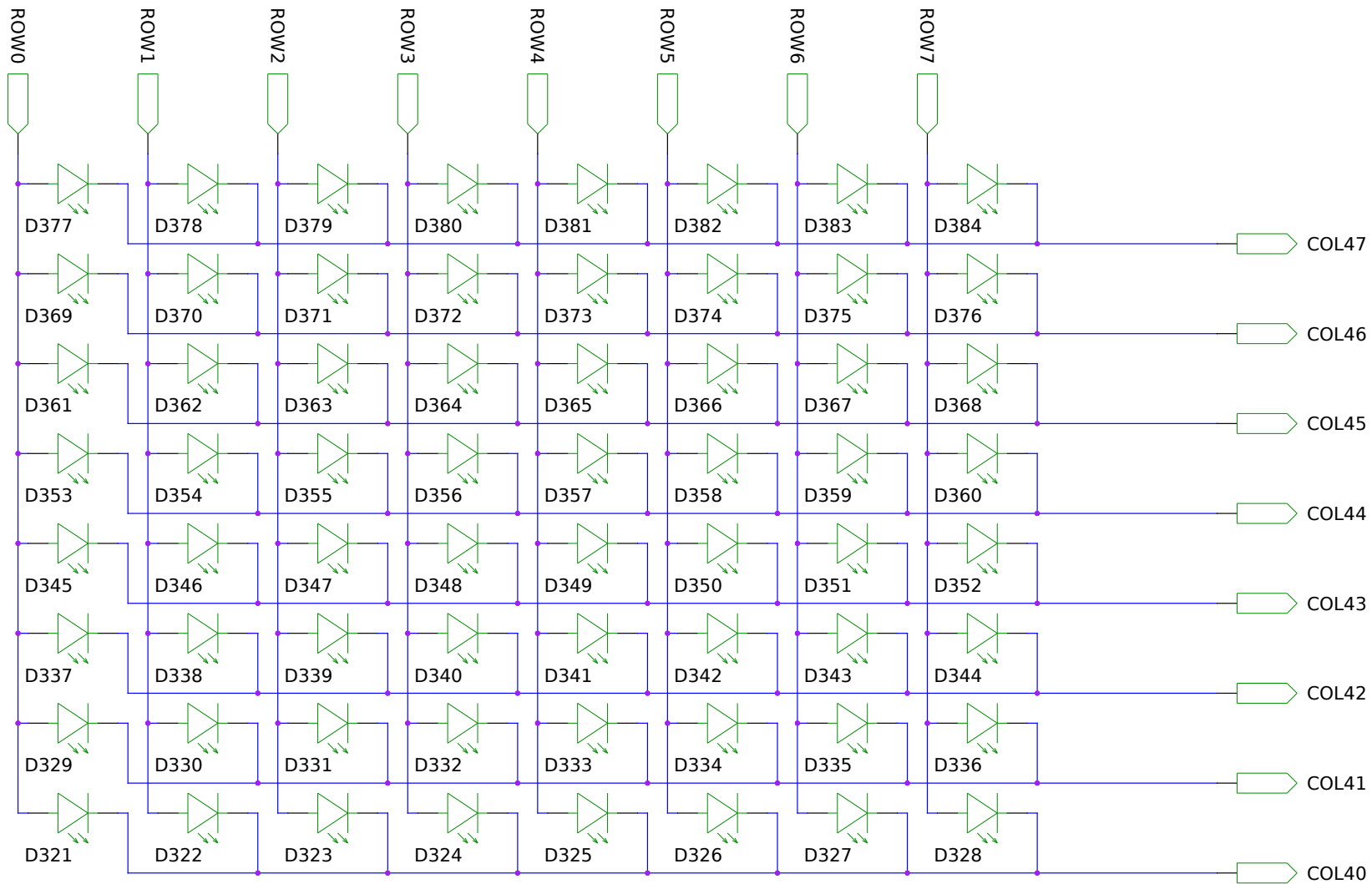


LED Matrix Character 0:4

Zerocat Dev Kit

Put the fun back into hardware development!
[git://zerocat.org/zerocat/projects/zerocat-dev-kit.git](https://zerocat.org/zerocat/projects/zerocat-dev-kit.git)

TITLE		
FILE:	display8x48-page05.sch	REVISION: 2117b7b4b (master)
PAGE	OF	DRAWN BY:

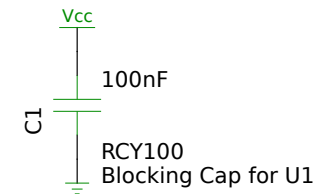
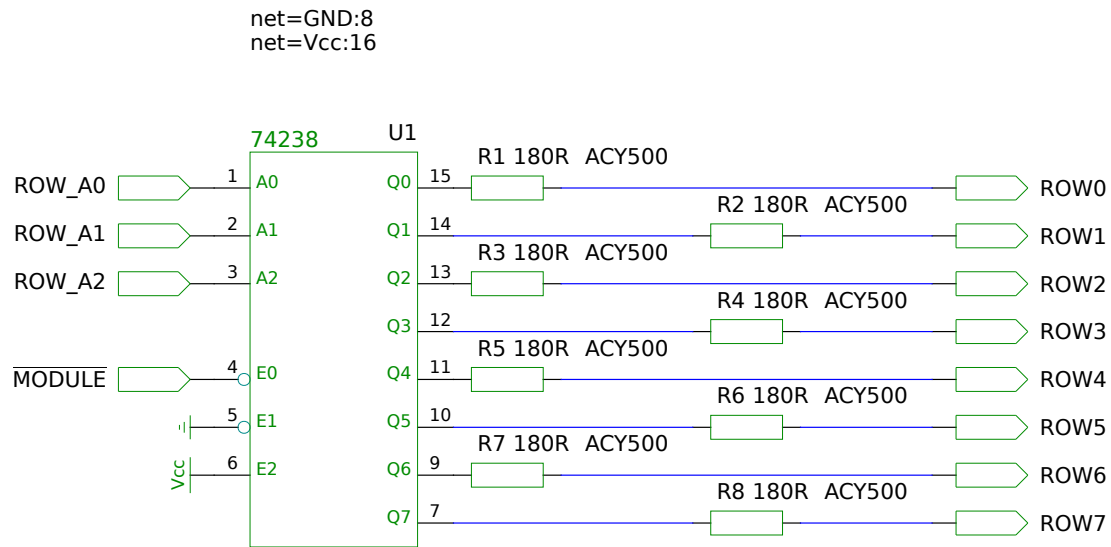


LED Matrix Character 0:5

Zerocat Dev Kit

Put the fun back into hardware development!
[git://zerocat.org/zerocat/projects/zerocat-dev-kit.git](https://zerocat.org/zerocat/projects/zerocat-dev-kit.git)

TITLE		
FILE:	display8x48-page06.sch	REVISION: 2117b7b4b (master)
PAGE	OF	DRAWN BY:

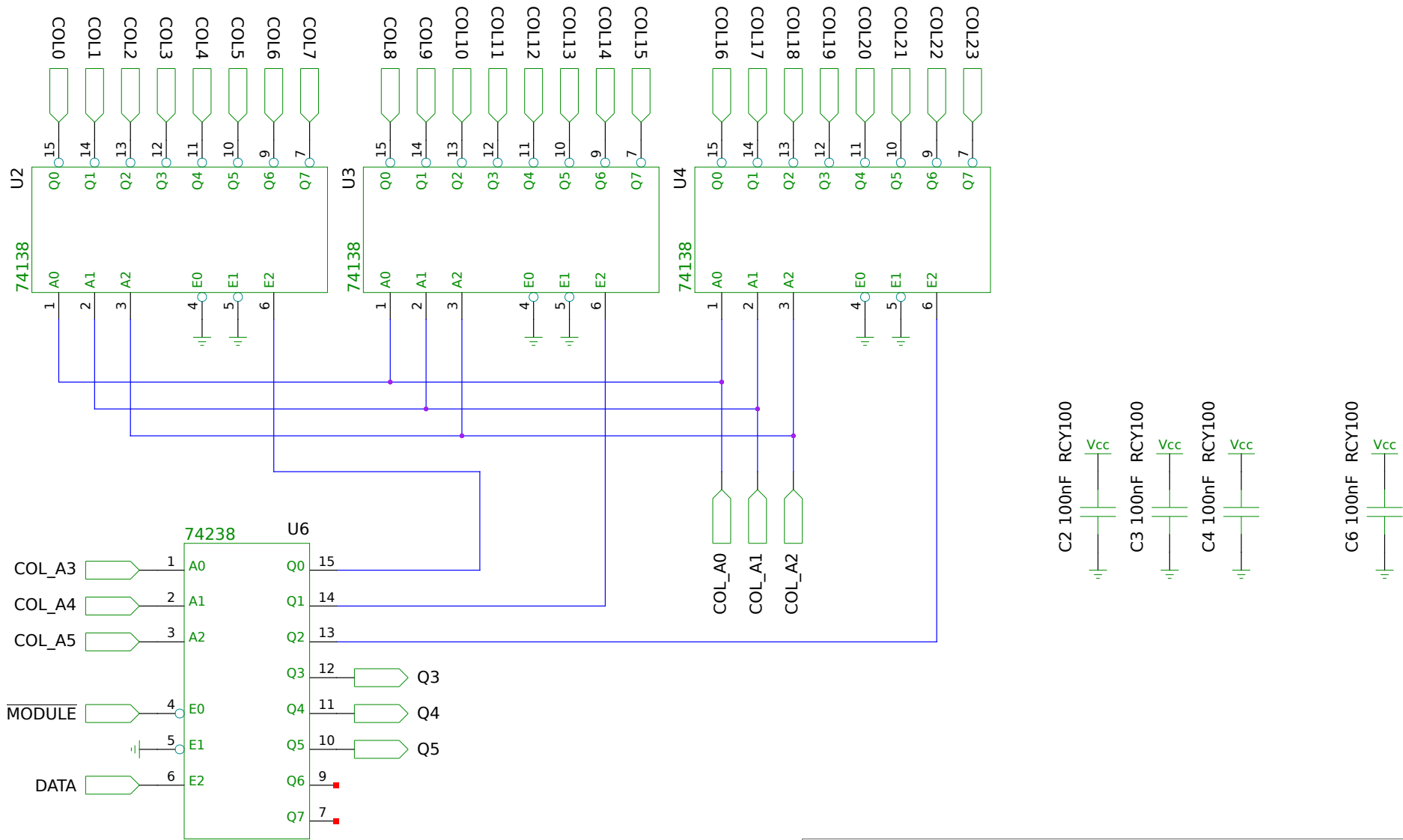


LED Matrix Row Driver

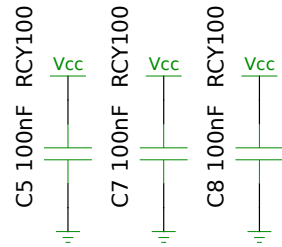
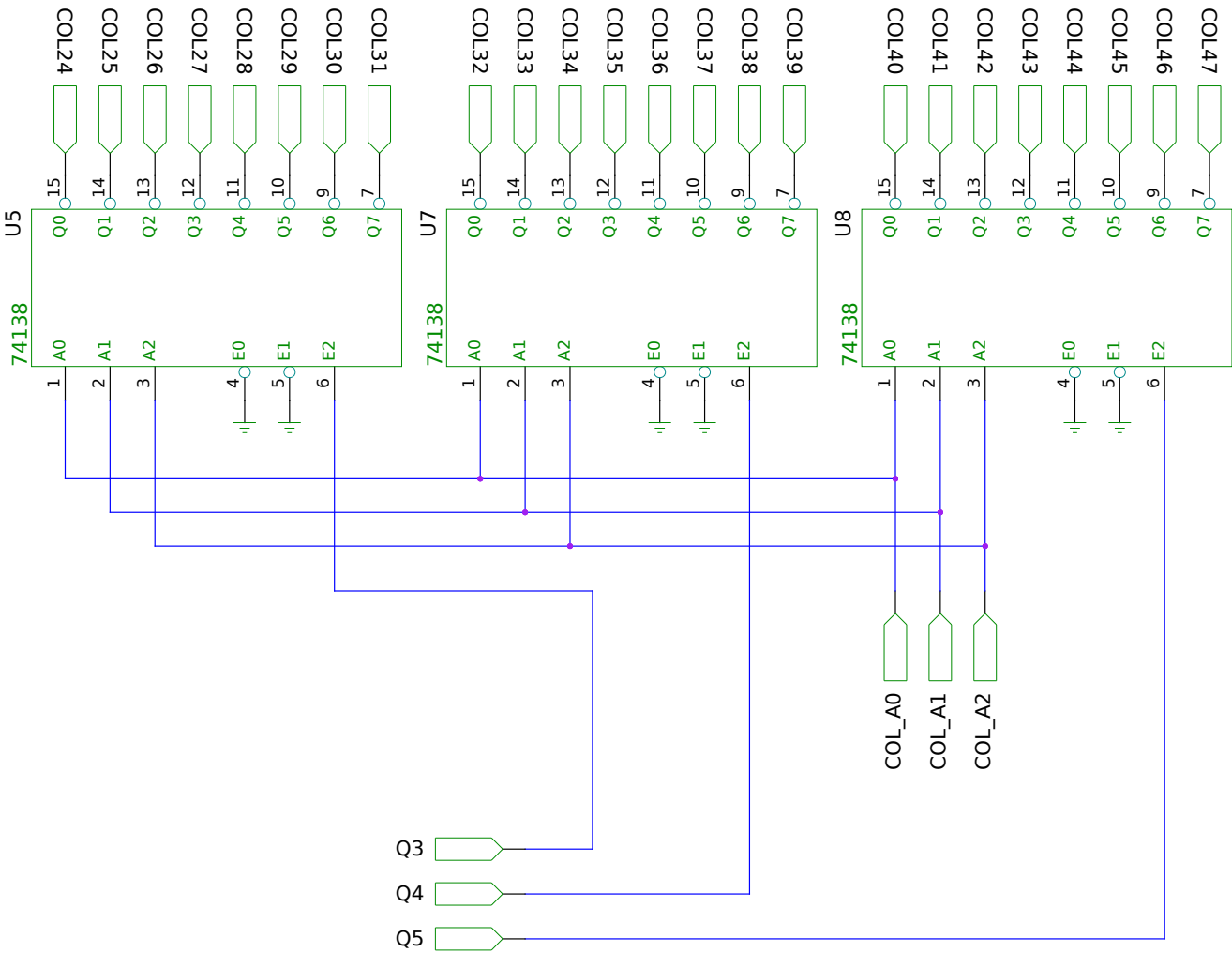
Zerocat Dev Kit

Put the fun back into hardware development!
[git://zerocat.org/projects/zerocat-dev-kit.git](https://zerocat.org/projects/zerocat-dev-kit.git)

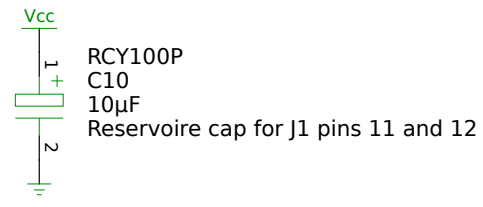
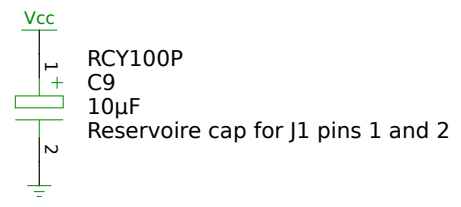
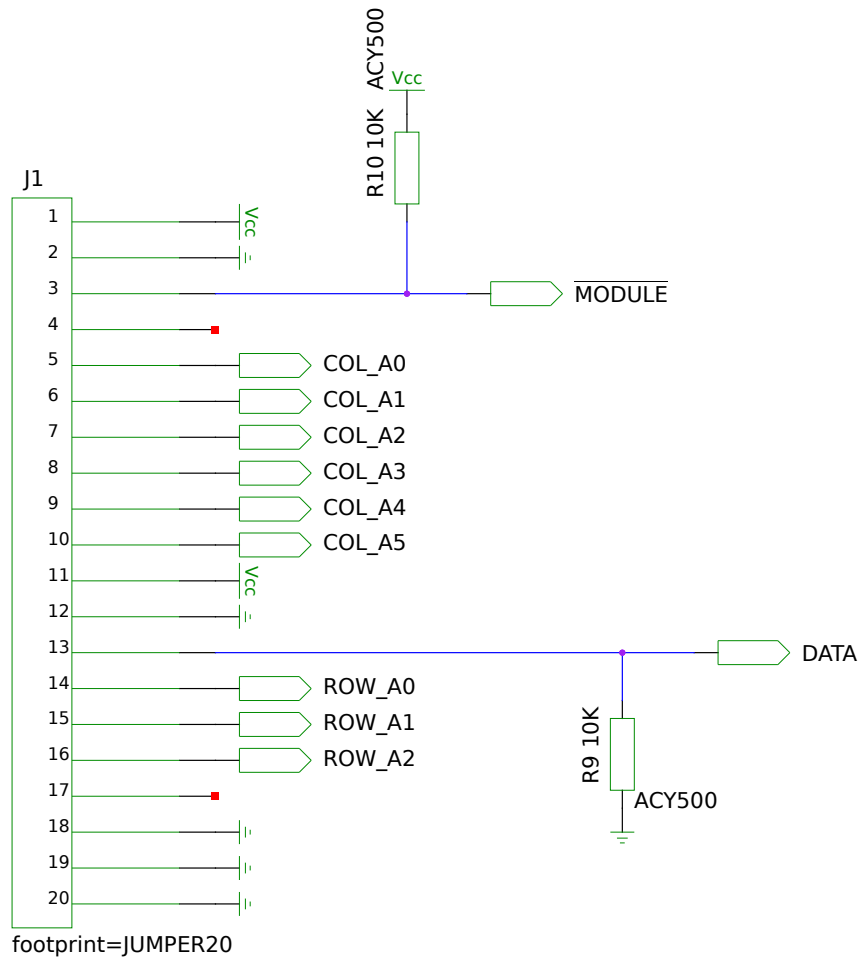
TITLE		
FILE:	display8x48-page07.sch	REVISION: 2117b7b4b (master)
PAGE	OF	DRAWN BY:



LED Matrix Driver Column 1-24		Zerocat Dev Kit	
TITLE		Put the fun back into hardware development! git://zerocat.org/zerocat/projects/zerocat-dev-kit.git	
FILE:	display8x48-page08.sch	REVISION:	2117b7b4b (master)
PAGE	OF	DRAWN BY:	



LED Matrix Driver Column 25-48		Zerocat Dev Kit	
		Put the fun back into hardware development! git://zerocat.org/zerocat/projects/zerocat-dev-kit.git	
TITLE		REVISION:	2117b7b4b (master)
FILE:	display8x48-page09.sch	DRAWN BY:	
PAGE	OF		



LED Matrix Connector		Zerocat Dev Kit	
TITLE		Put the fun back into hardware development! git://zerocat.org/zerocat/projects/zerocat-dev-kit.git	
FILE:	display8x48-page10.sch	REVISION:	2117b7b4b (master)
PAGE	OF	DRAWN BY:	