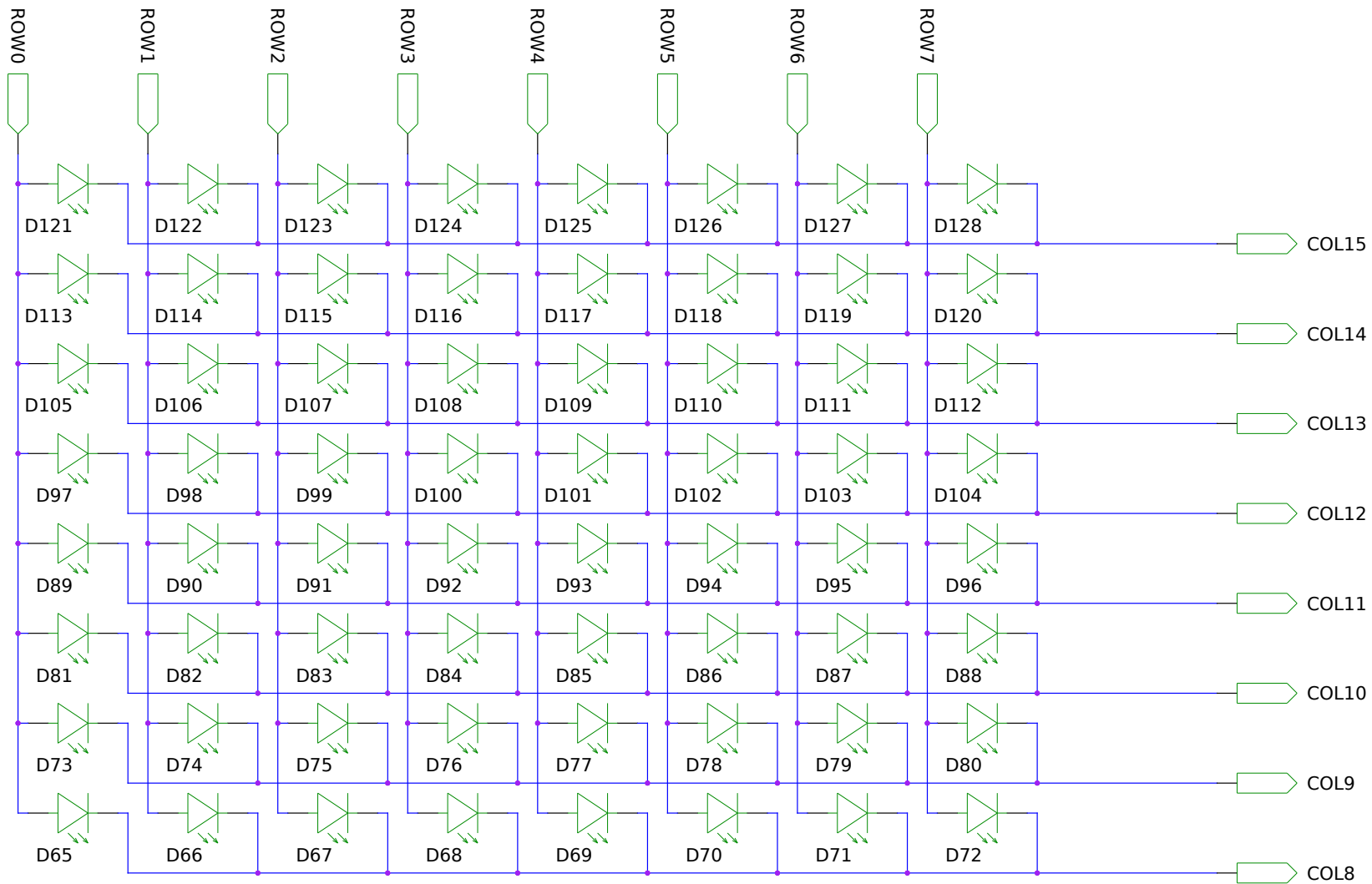
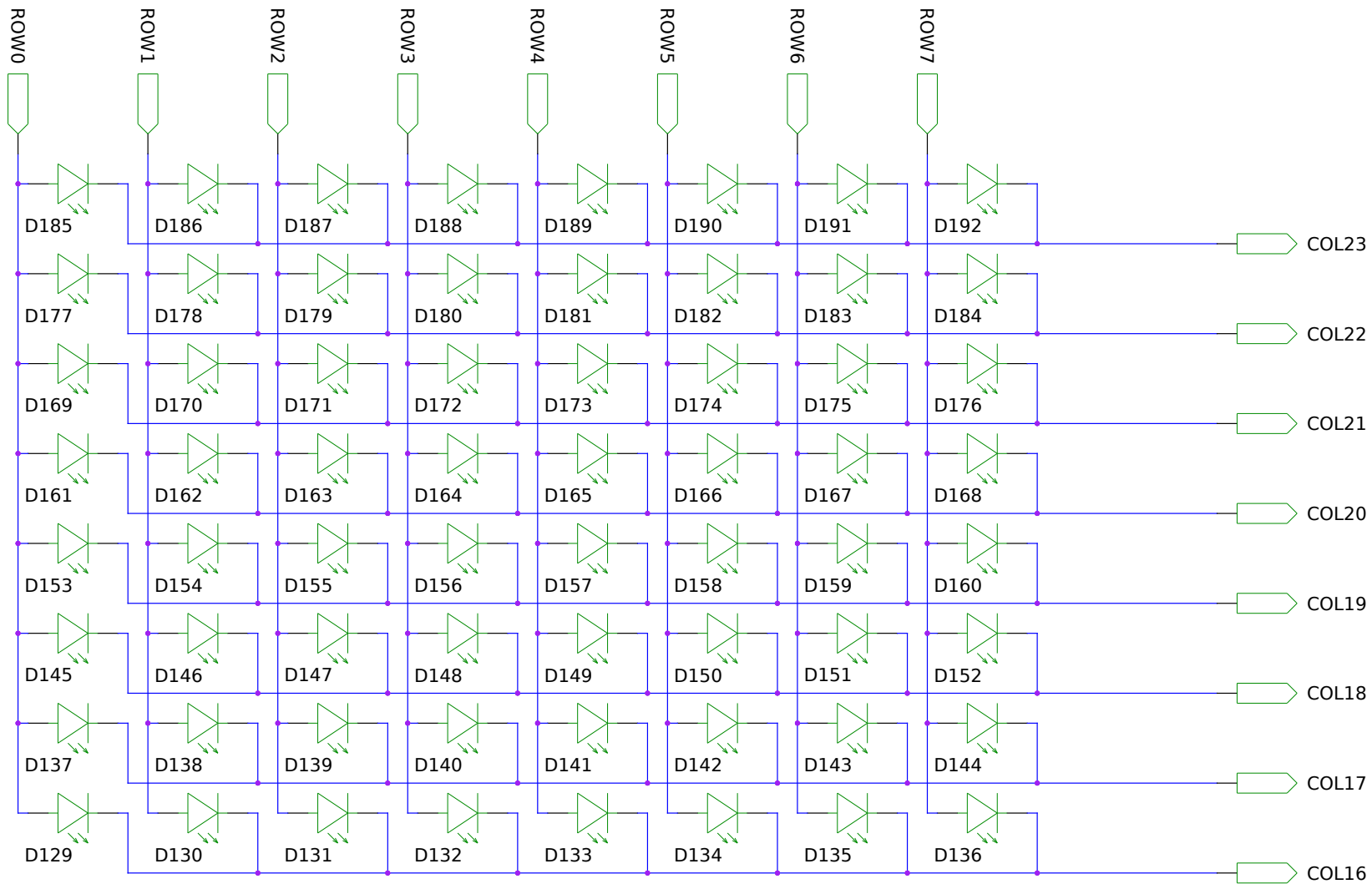


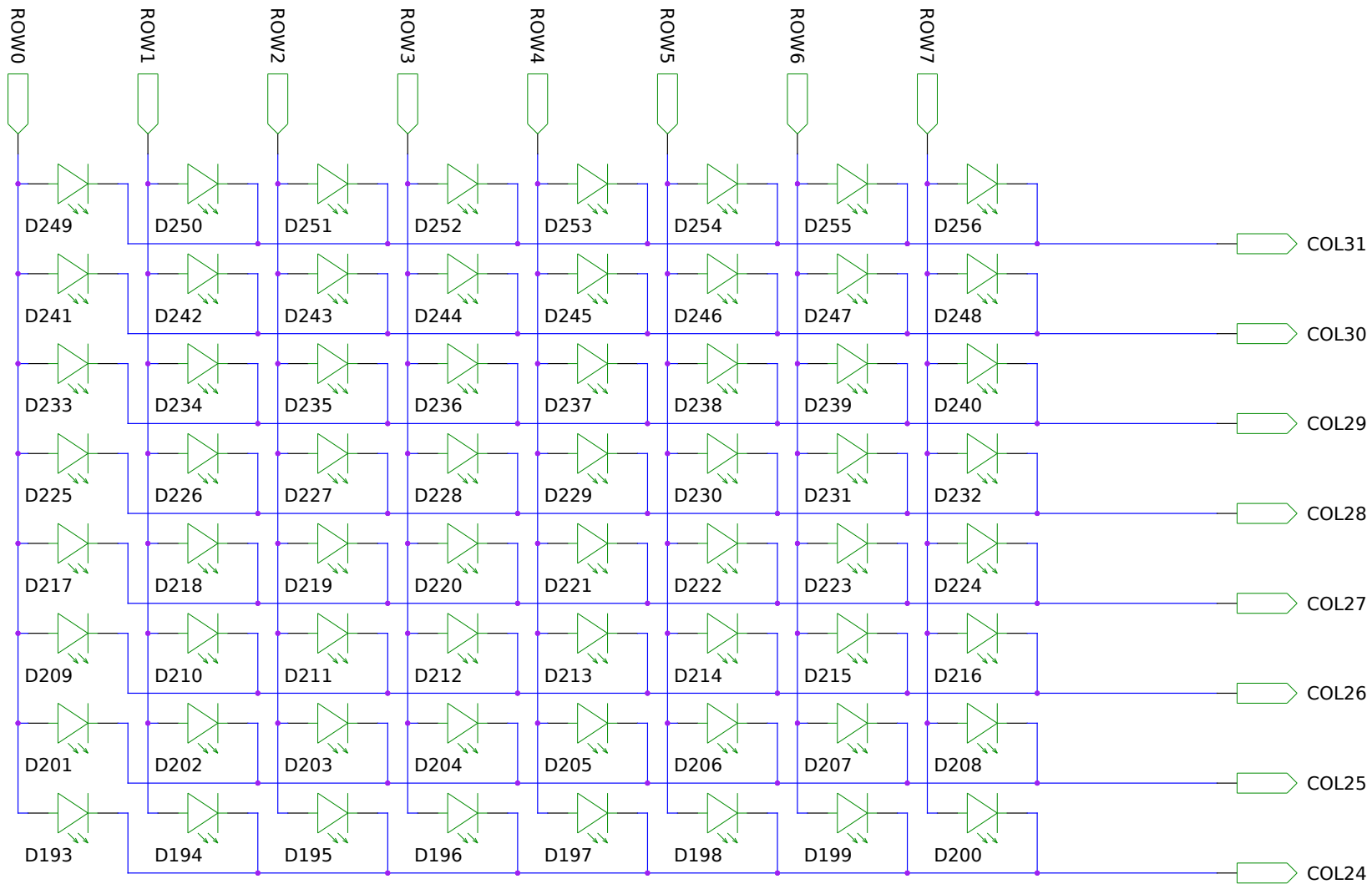
LED Matrix Character 0:0		Zerocat Dev Kit	
TITLE		Put the fun back into hardware development! git://zerocat.org/zerocat/projects/zerocat-dev-kit.git	
FILE:	display8x36-page01.sch	REVISION:	2117b7b4b (master)
PAGE	OF	DRAWN BY:	



LED Matrix Character 0:1		Zerocat Dev Kit	
TITLE		Put the fun back into hardware development! git://zerocat.org/zerocat/projects/zerocat-dev-kit.git	
FILE:	display8x36-page02.sch	REVISION:	2117b7b4b (master)
PAGE	OF	DRAWN BY:	



LED Matrix Character 0:2		Zerocat Dev Kit	
TITLE		Put the fun back into hardware development! git://zerocat.org/zerocat/projects/zerocat-dev-kit.git	
FILE:	display8x36-page03.sch	REVISION:	2117b7b4b (master)
PAGE	OF	DRAWN BY:	

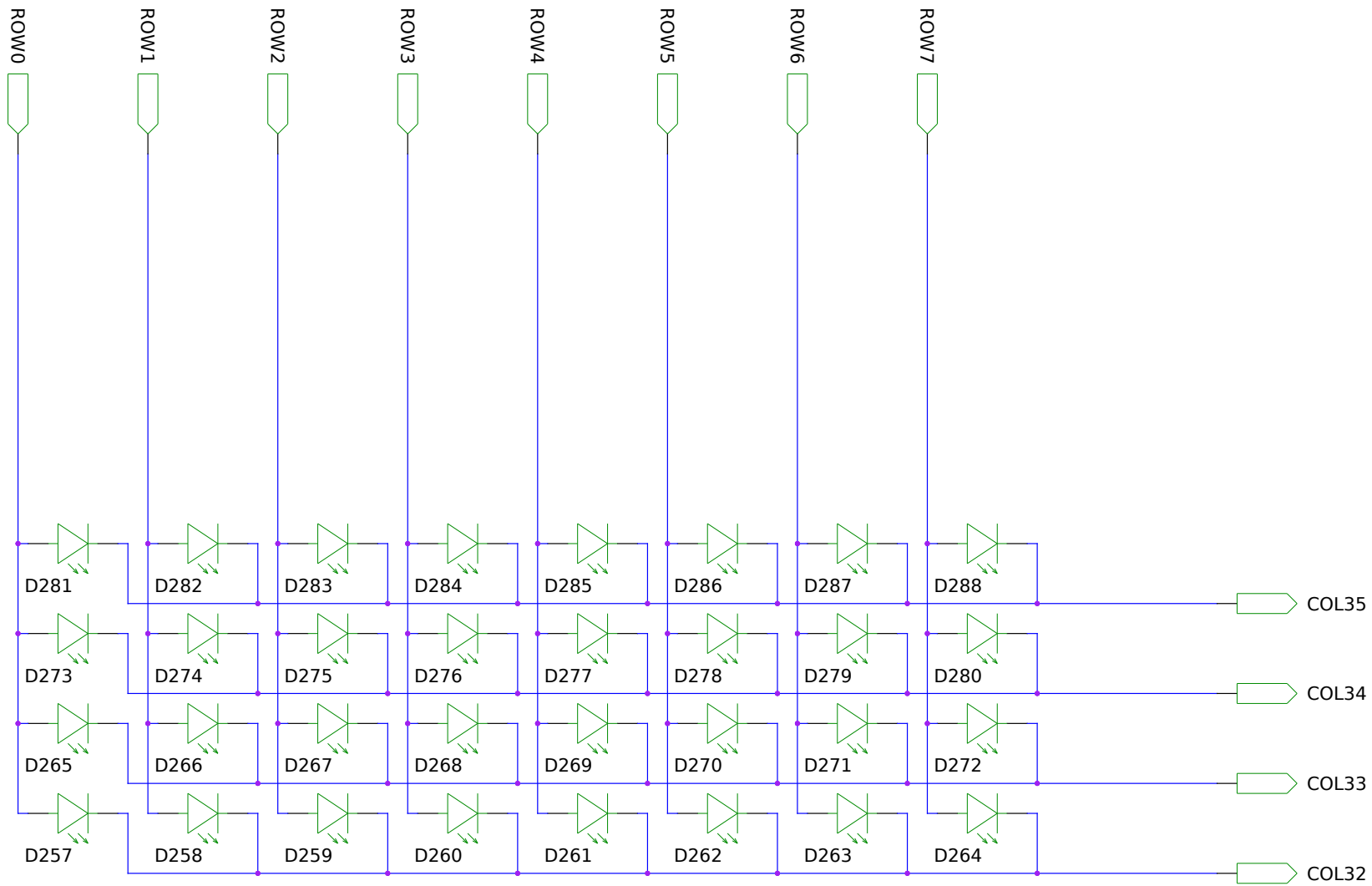


LED Matrix Character 0:3

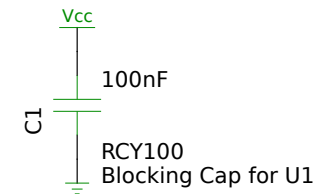
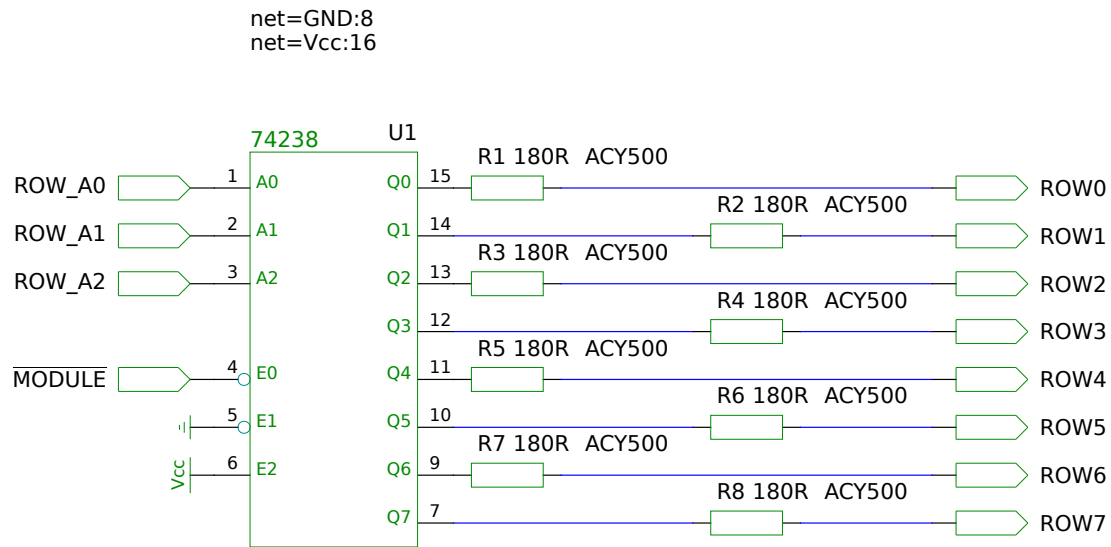
Zerocat Dev Kit

Put the fun back into hardware development!
[git://zerocat.org/zerocat/projects/zerocat-dev-kit.git](https://zerocat.org/zerocat/projects/zerocat-dev-kit.git)

TITLE		
FILE:	display8x36-page04.sch	REVISION: 2117b7b4b (master)
PAGE	OF	DRAWN BY:



LED Matrix Character 0:4		Zerocat Dev Kit	
TITLE		Put the fun back into hardware development! git://zerocat.org/zerocat/projects/zerocat-dev-kit.git	
FILE:	display8x36-page05.sch	REVISION:	2117b7b4b (master)
PAGE	OF	DRAWN BY:	

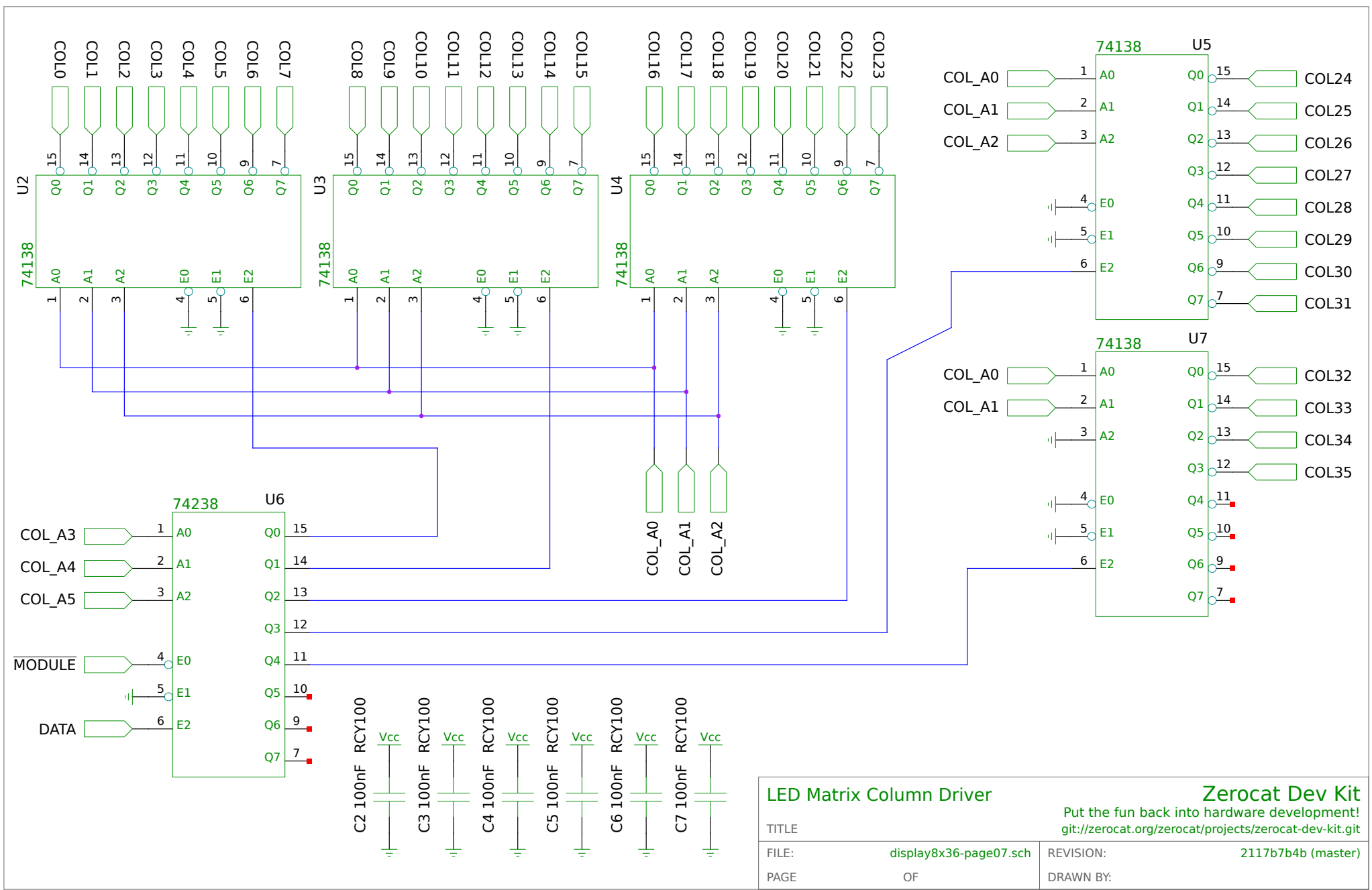


LED Matrix Row Driver

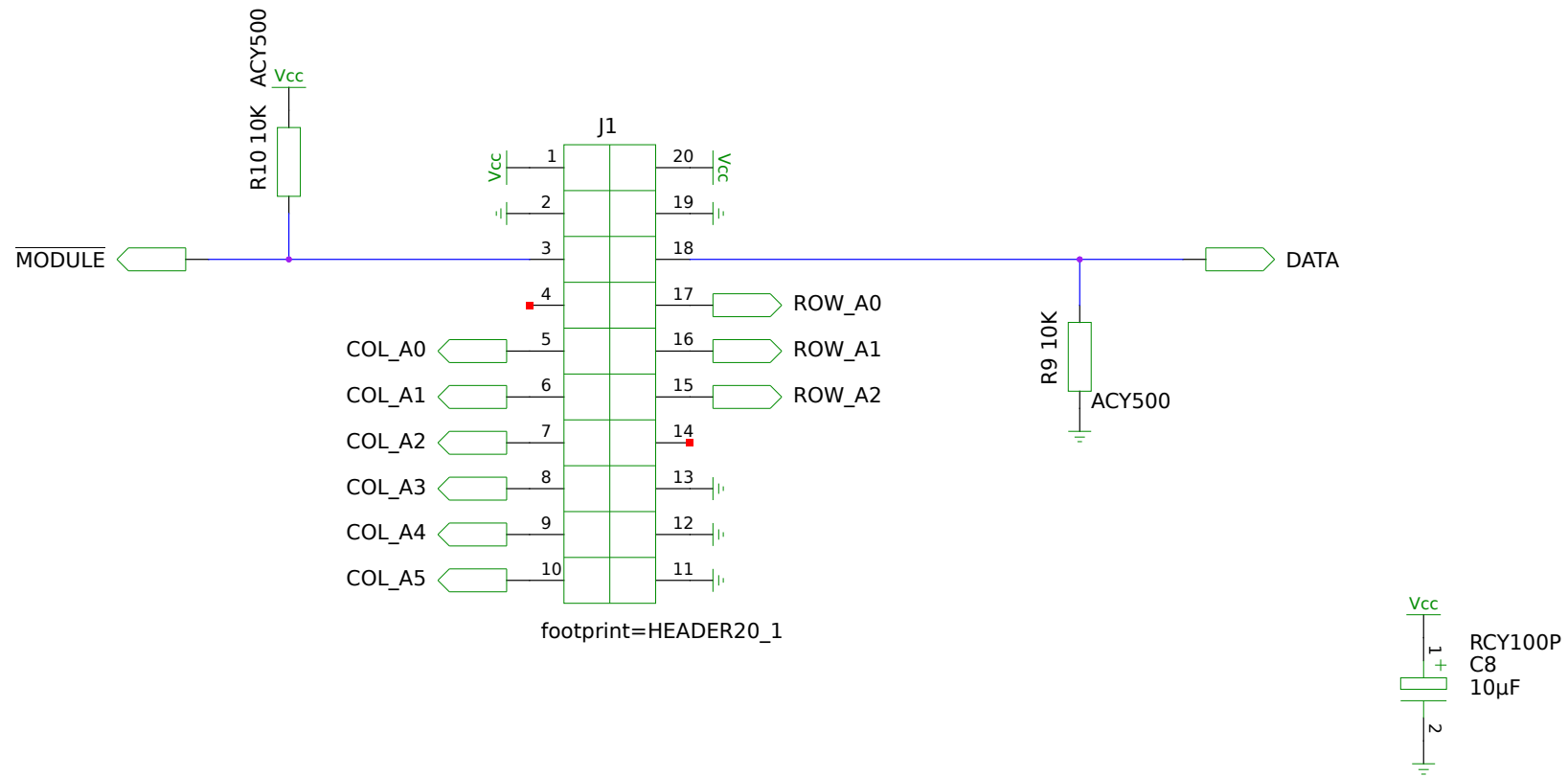
Zerocat Dev Kit

Put the fun back into hardware development!
[git://zerocat.org/projects/zerocat-dev-kit.git](https://zerocat.org/projects/zerocat-dev-kit.git)

TITLE		
FILE:	display8x36-page06.sch	REVISION: 2117b7b4b (master)
PAGE	OF	DRAWN BY:



LED Matrix Column Driver		Zerocat Dev Kit	
Put the fun back into hardware development!		git://zerocat.org/zerocat/projects/zerocat-dev-kit.git	
TITLE	display8x36-page07.sch	REVISION:	2117b7b4b (master)
FILE:	OF	DRAWN BY:	



Board Connector

Zerocat Dev Kit

Put the fun back into hardware development!
[git://zerocat.org/zerocat/projects/zerocat-dev-kit.git](https://github.com/zerocat/zerocat-dev-kit)

TITLE		REVISION:	2117b7b4b (master)
FILE:	display8x36-page08.sch	DRAWN BY:	
PAGE	OF		