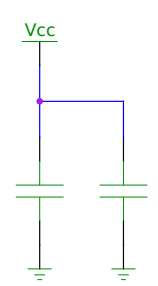


Blocking Cap for P8X32A.
001uF RY001 1T1C



Blocking Cap for P8X32A.
100nF RY100 1T1C

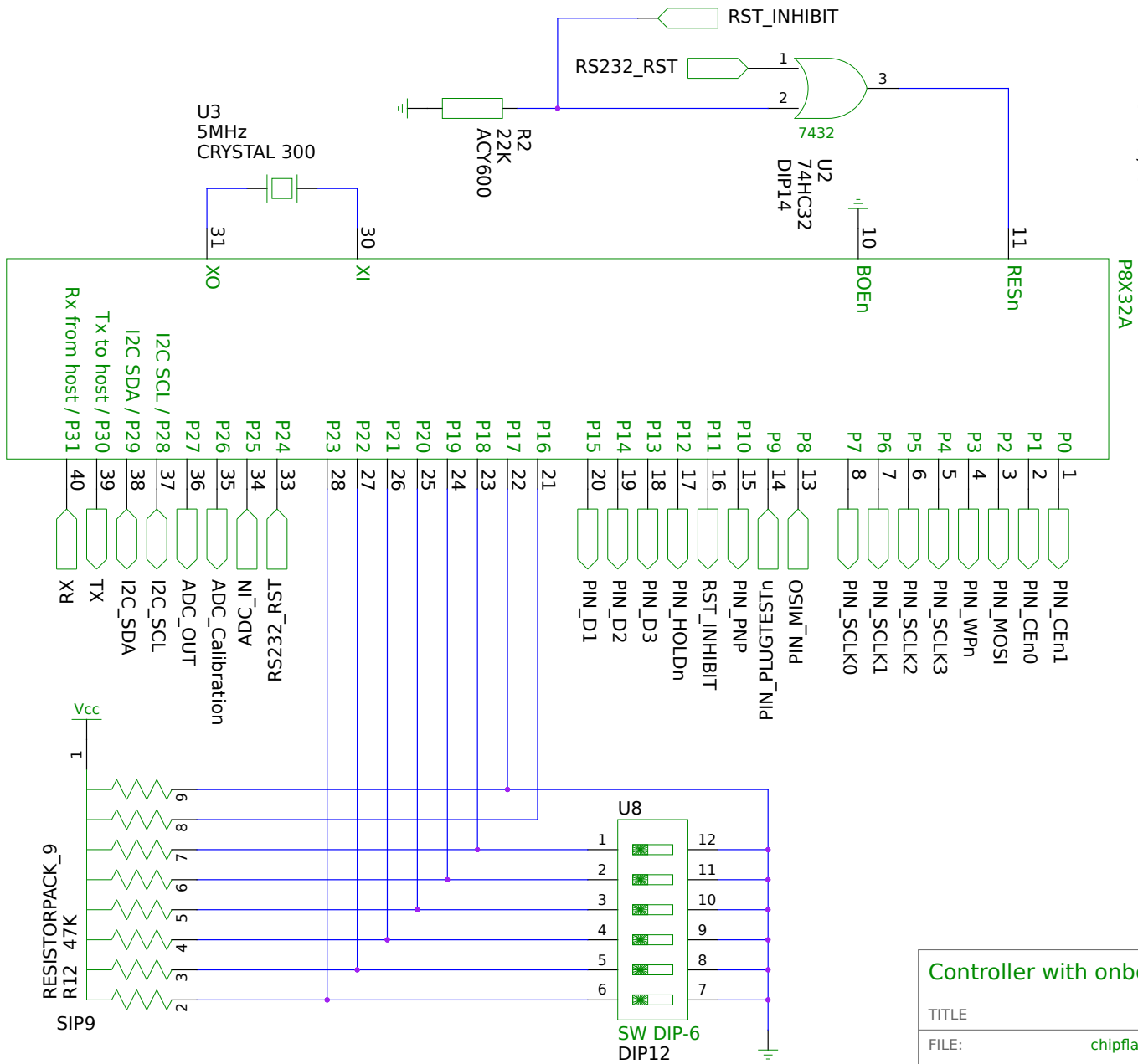


Blocking Cap for 74HC32.
100nF RY100 1T1C

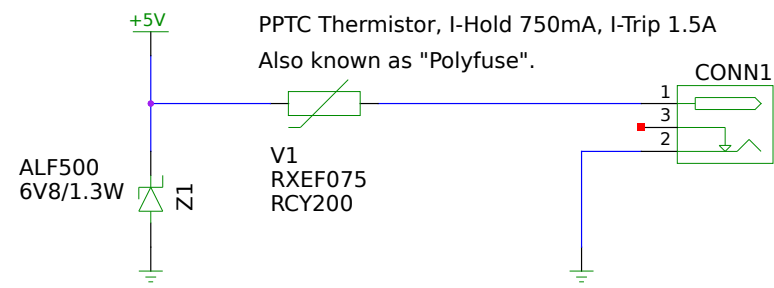


U1
DIP40
This chip is precious, use socket.
If Vdd falls below +2.7V, all pins become tristate.
In order to decouple Vdd, use two 100nF caps, one left, one right.
RESn is pulled up through 5K when BOEn is low.

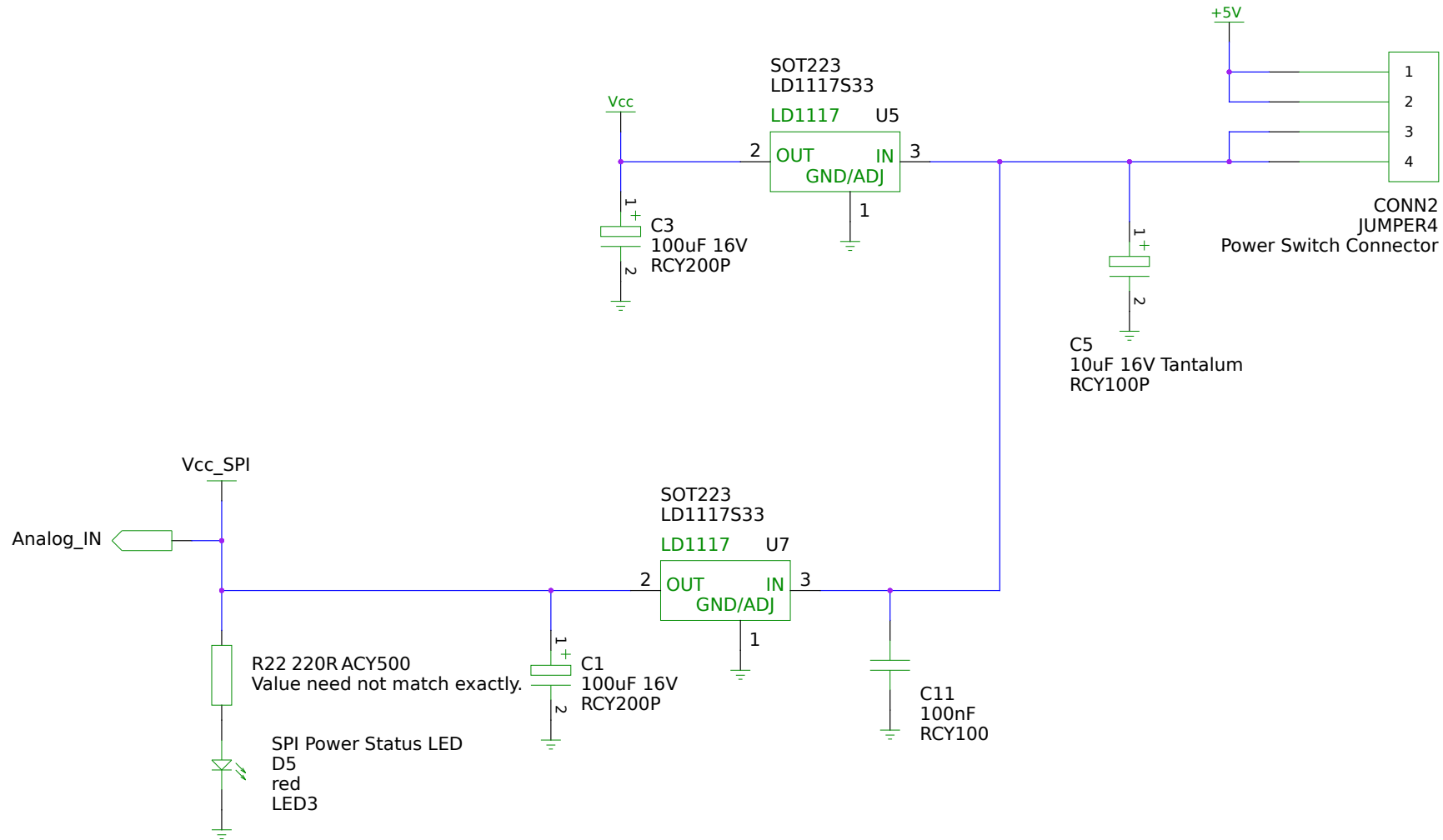
Vcc:12,32
GND:9,29



Controller with onboard RAM		ZeroCAT Chipflasher	
TITLE		Flash free firmware, kick the Management Engine. git://zerocat.org/zerocat/projects/chipflasher	
FILE:	chipflasher-page01.sch	REVISION:	v2.1.0-0-850cd7bce (master)
PAGE	OF	DRAWN BY:	kmx



Power Input		Zerocat Chipflasher	
		Flash free firmware, kick the Management Engine. git://zerocat.org/zerocat/projects/chipflasher	
TITLE		REVISION:	v2.1.0-0-850cd7bce (master)
FILE:	chipflasher-page02.sch	DRAWN BY:	kmx
PAGE	OF		

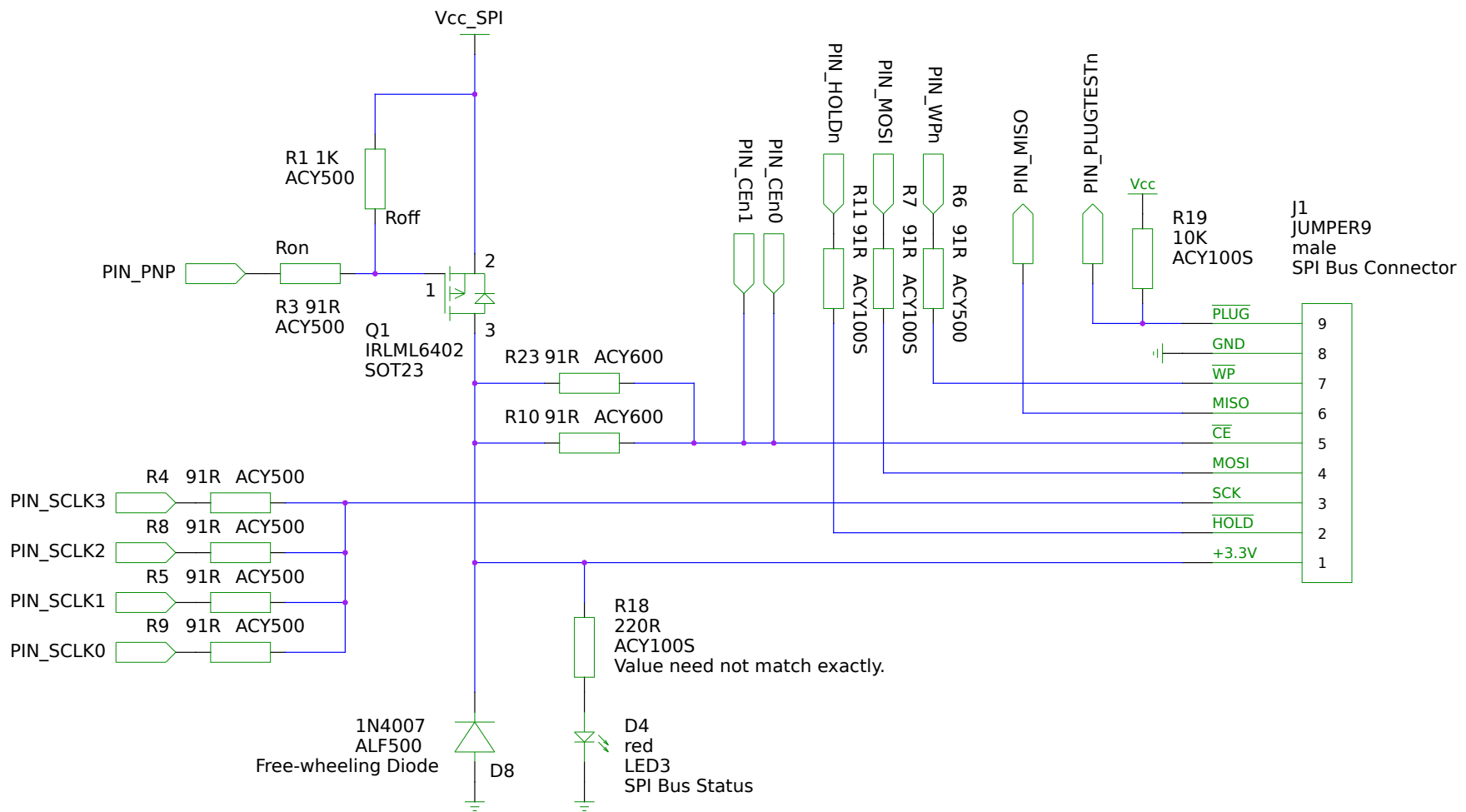


Voltage Regulators

Zerocat Chipflasher

Flash free firmware, kick the Management Engine.
[git://zerocat.org/zerocat/projects/chipflasher](https://zerocat.org/zerocat/projects/chipflasher)

TITLE			
FILE:	chipflasher-page03.sch	REVISION:	v2.1.0-0-850cd7bce (master)
PAGE	OF	DRAWN BY:	kmx



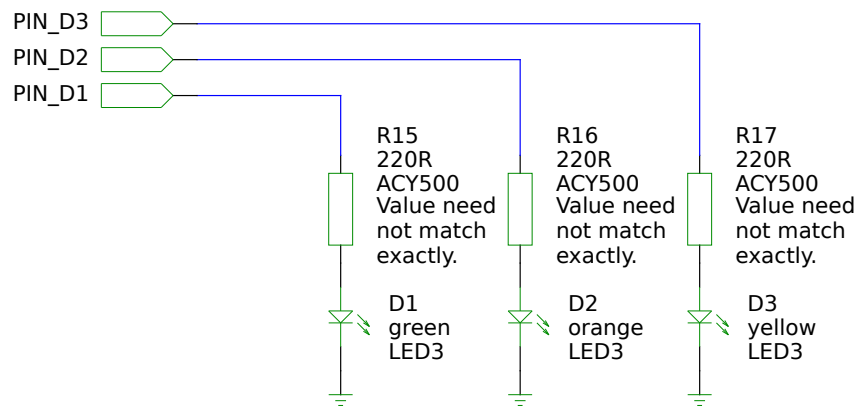
SPI Bus

Zerocat Chipflasher

Flash free firmware, kick the Management Engine.

[git://zerocat.org/zerocat/projects/chipflasher](https://zerocat.org/zerocat/projects/chipflasher)

TITLE		
FILE:	chipflasher-page04.sch	REVISION: v2.1.0-0-850cd7bce (master)
PAGE	OF	DRAWN BY: kmx

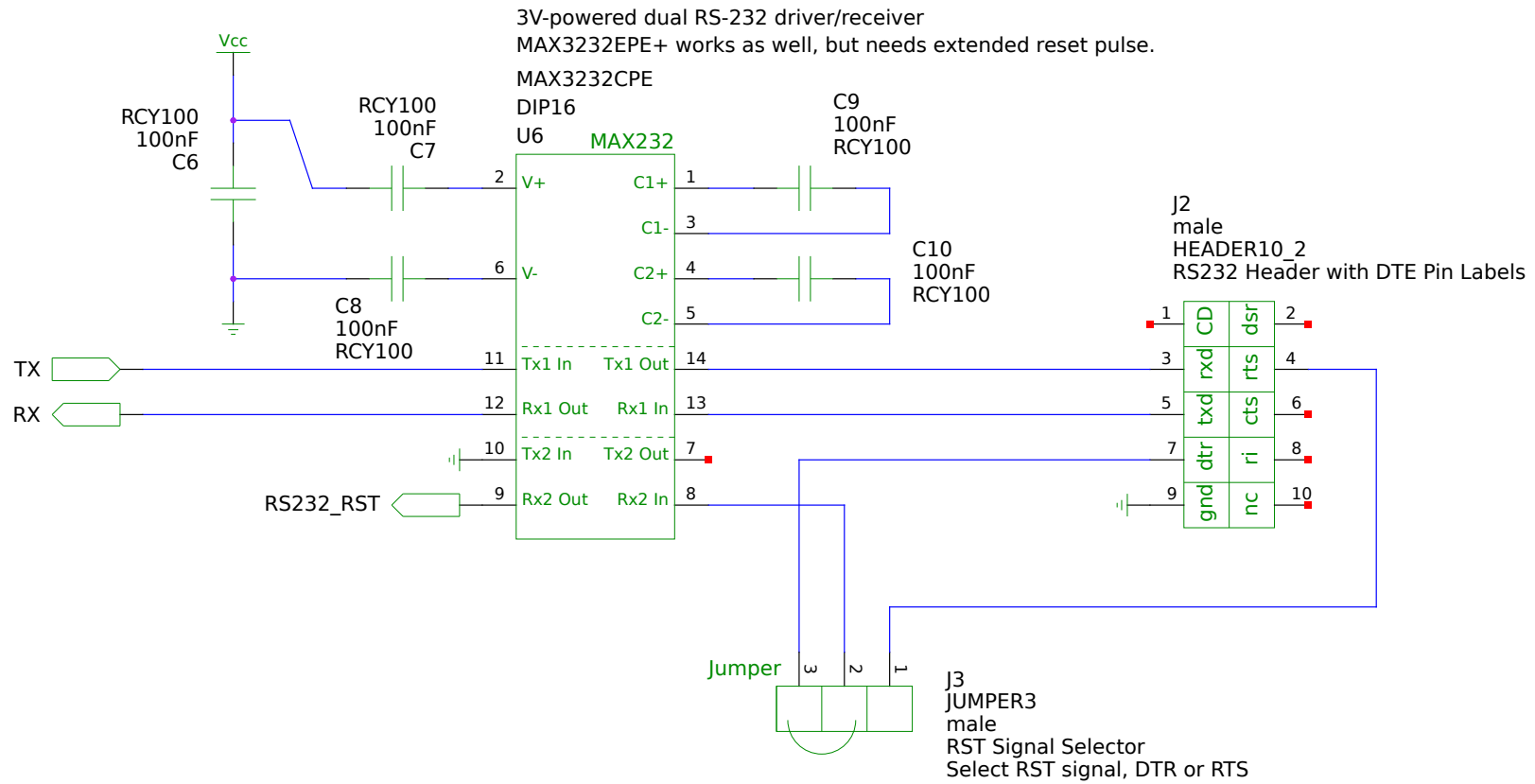


Software Status LEDs

Zerocat Chipflasher

Flash free firmware, kick the Management Engine.
[git://zerocat.org/zerocat/projects/chipflasher](https://zerocat.org/zerocat/projects/chipflasher)

TITLE		
FILE:	chipflasher-page05.sch	REVISION: v2.1.0-0-850cd7bce (master)
PAGE	OF	DRAWN BY: kmx

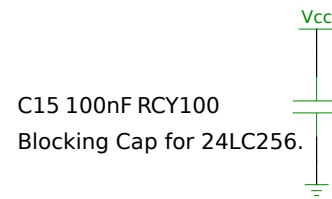
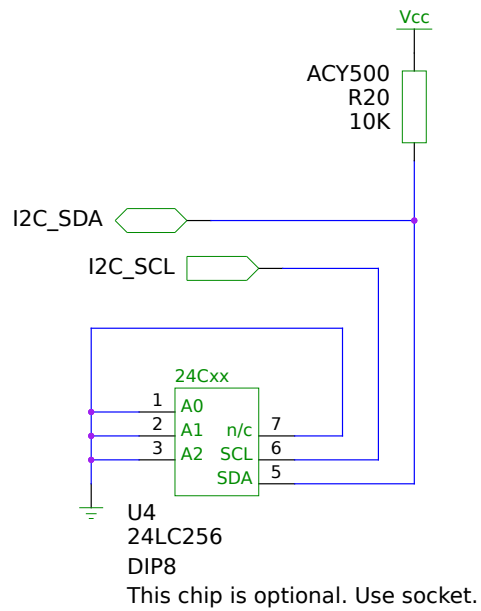


RS232 Pinheader

Zerocat Chipflasher

Flash free firmware, kick the Management Engine.
[git://zerocat.org/zerocat/projects/chipflasher](https://zerocat.org/zerocat/projects/chipflasher)

TITLE		
FILE:	chipflasher-page06.sch	REVISION: v2.1.0-0-850cd7bce (master)
PAGE	OF	DRAWN BY: kmx

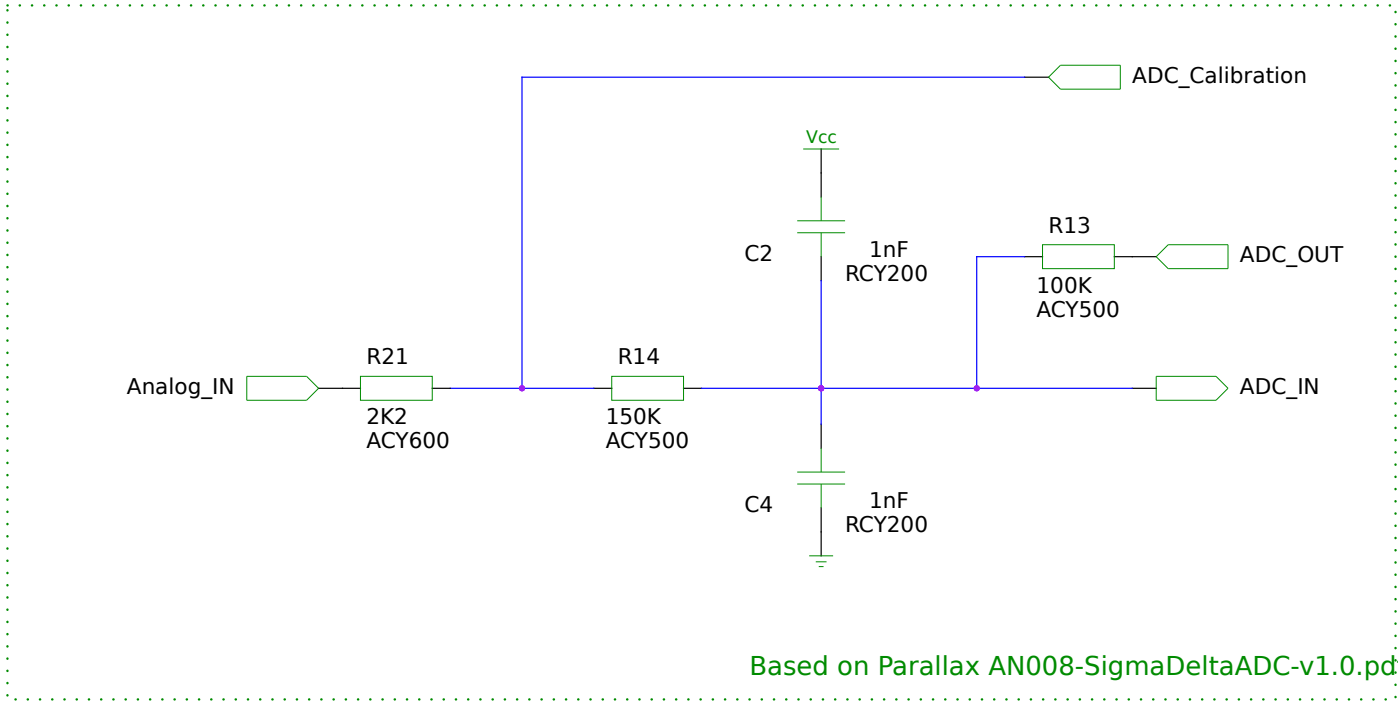


Serial EEPROM (optional)

Zerocat Chipflasher

Flash free firmware, kick the Management Engine.
[git://zerocat.org/zerocat/projects/chipflasher](https://zerocat.org/zerocat/projects/chipflasher)

TITLE		
FILE:	chipflasher-page07.sch	REVISION: v2.1.0-0-850cd7bce (master)
PAGE	OF	DRAWN BY: kmx



Sigma-delta ADC Circuit

Zerocat Chipflasher

Flash free firmware, kick the Management Engine.
[git://zerocat.org/zerocat/projects/chipflasher](https://zerocat.org/zerocat/projects/chipflasher)

TITLE			
FILE:	chipflasher-page08.sch	REVISION:	v2.1.0-0-850cd7bce (master)
PAGE	OF	DRAWN BY:	kmx