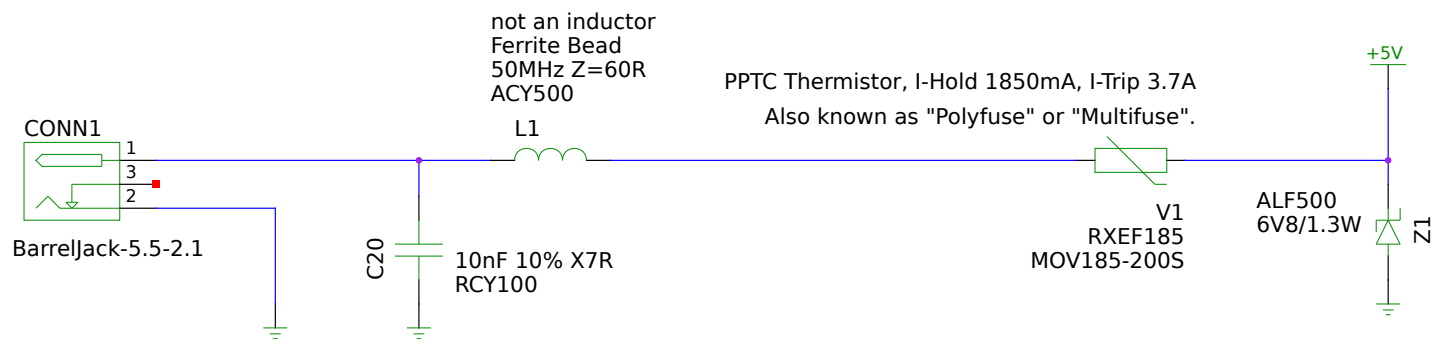


Controller, free design		ZeroCAT Chipflasher	
Flash free firmware, kick the Management Engine. git://zerocat.org/zerocat/projects/chipflasher.git			
TITLE		REVISION:	v2.3.0-316-13e74c3586
FILE:	chipflasher-page01.sch	DRAWN BY:	kmx
PAGE 1	OF 9		



Power Input

Zerocat Chipflasher

Flash free firmware, kick the Management Engine.
[git://zerocat.org/zerocat/projects/chipflasher.git](https://zerocat.org/zerocat/projects/chipflasher.git)

TITLE

FILE:

chipflasher-page02.sch

REVISION:

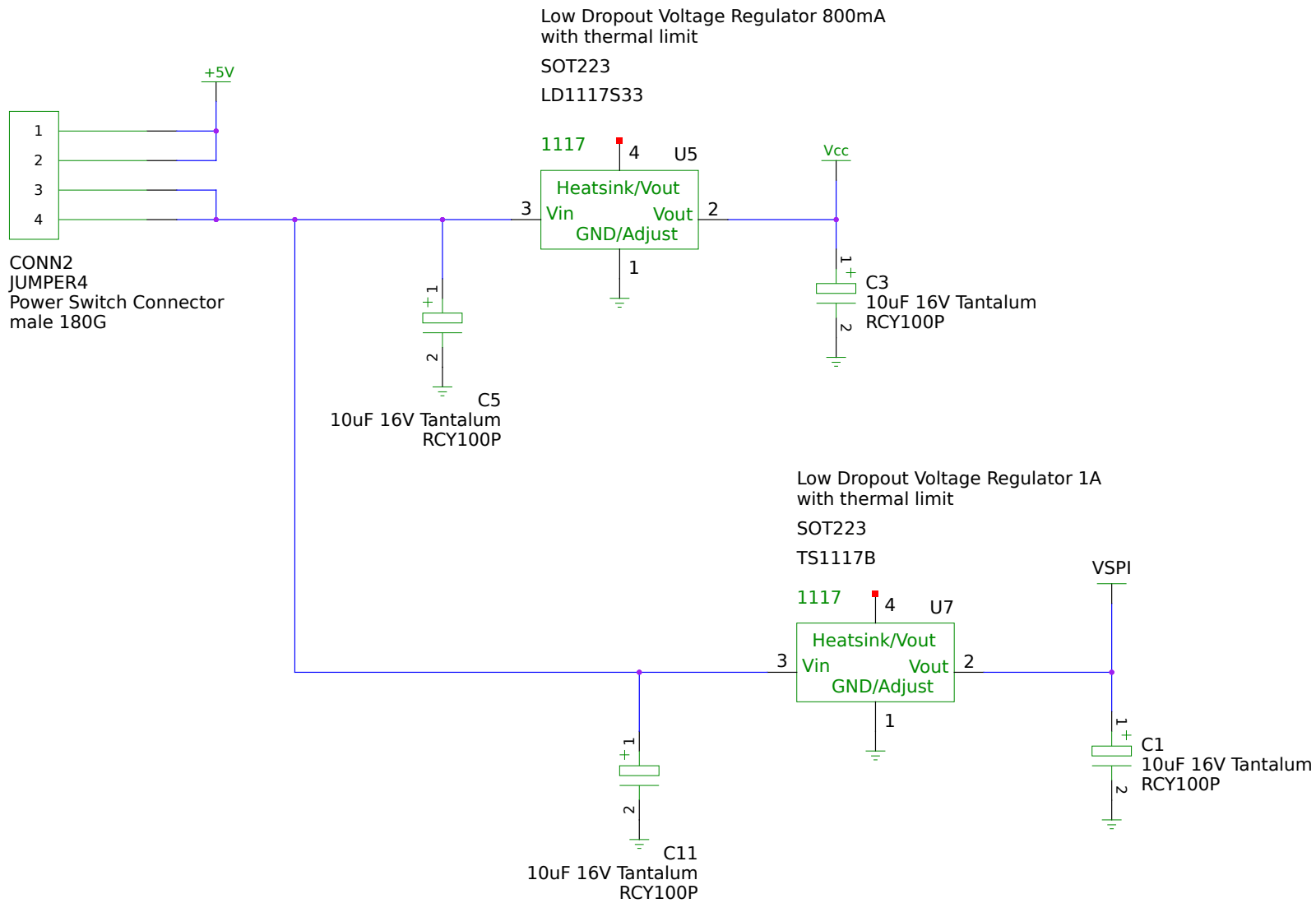
v2.3.0-316-13e74c3586

PAGE 2

OF 10

DRAWN BY:

kmx

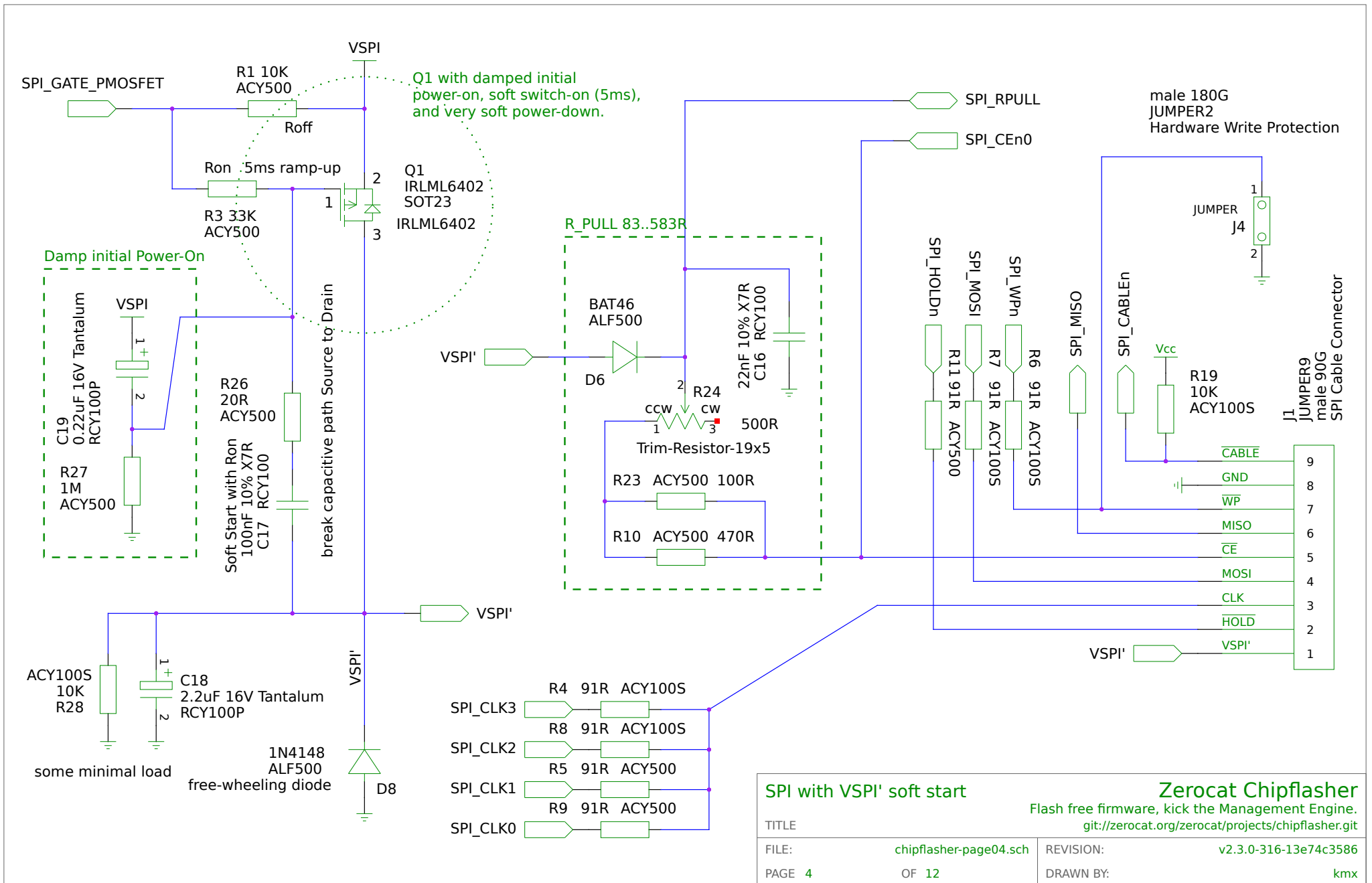


Voltage Regulators

ZeroCAT Chipflasher

Flash free firmware, kick the Management Engine.
[git://zerocat.org/zerocat/projects/chipflasher.git](https://zerocat.org/zerocat/projects/chipflasher.git)

TITLE		
FILE:	chipflasher-page03.sch	REVISION: v2.3.0-316-13e74c3586
PAGE 3	OF 11	DRAWN BY: kmx



Q1 with damped initial power-on, soft switch-on (5ms), and very soft power-down.

Damp initial Power-On

R_PULL 83..583R

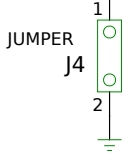
BAT46 ALF500
D6

22nF 10% X7R
C16 RCY100

Trim-Resistor-19x5
R24 500R

R23 ACY500 100R
R10 ACY500 470R

male 180G JUMPER2 Hardware Write Protection



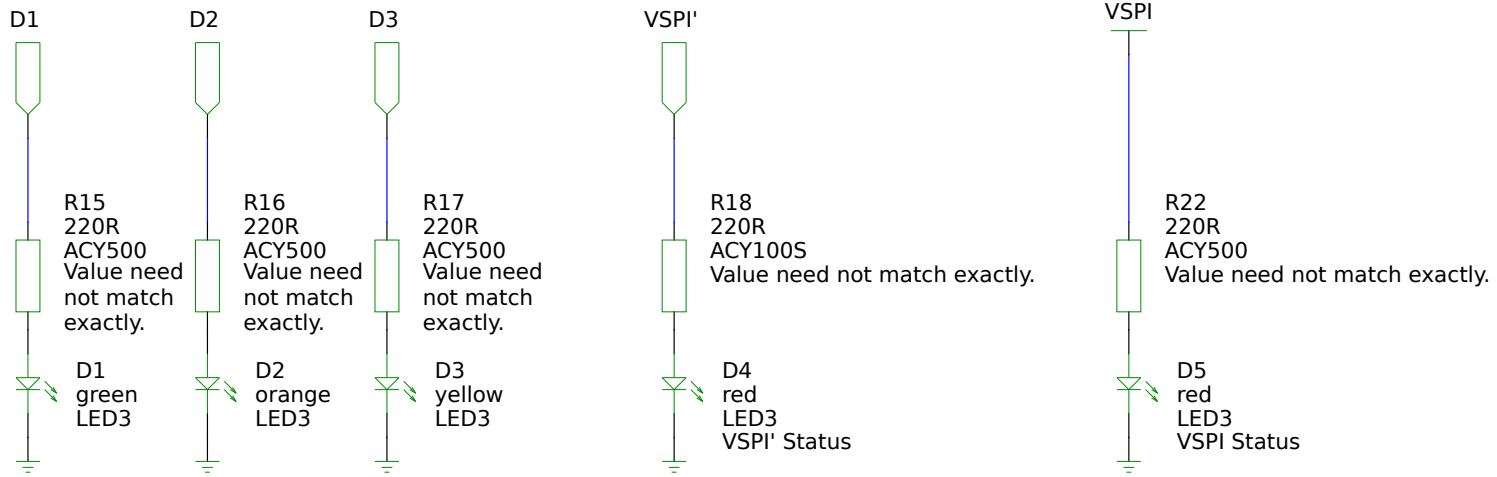
J1 JUMPER9 male 90G SPI Cable Connector



SPI with VSPI' soft start

ZeroCAT Chipflasher
Flash free firmware, kick the Management Engine.
[git://zerocat.org/zerocat/projects/chipflasher.git](https://github.com/zerocat/zerocat/projects/chipflasher.git)

TITLE	SPI with VSPI' soft start	
FILE:	chipflasher-page04.sch	REVISION: v2.3.0-316-13e74c3586
PAGE 4	OF 12	DRAWN BY: kmx

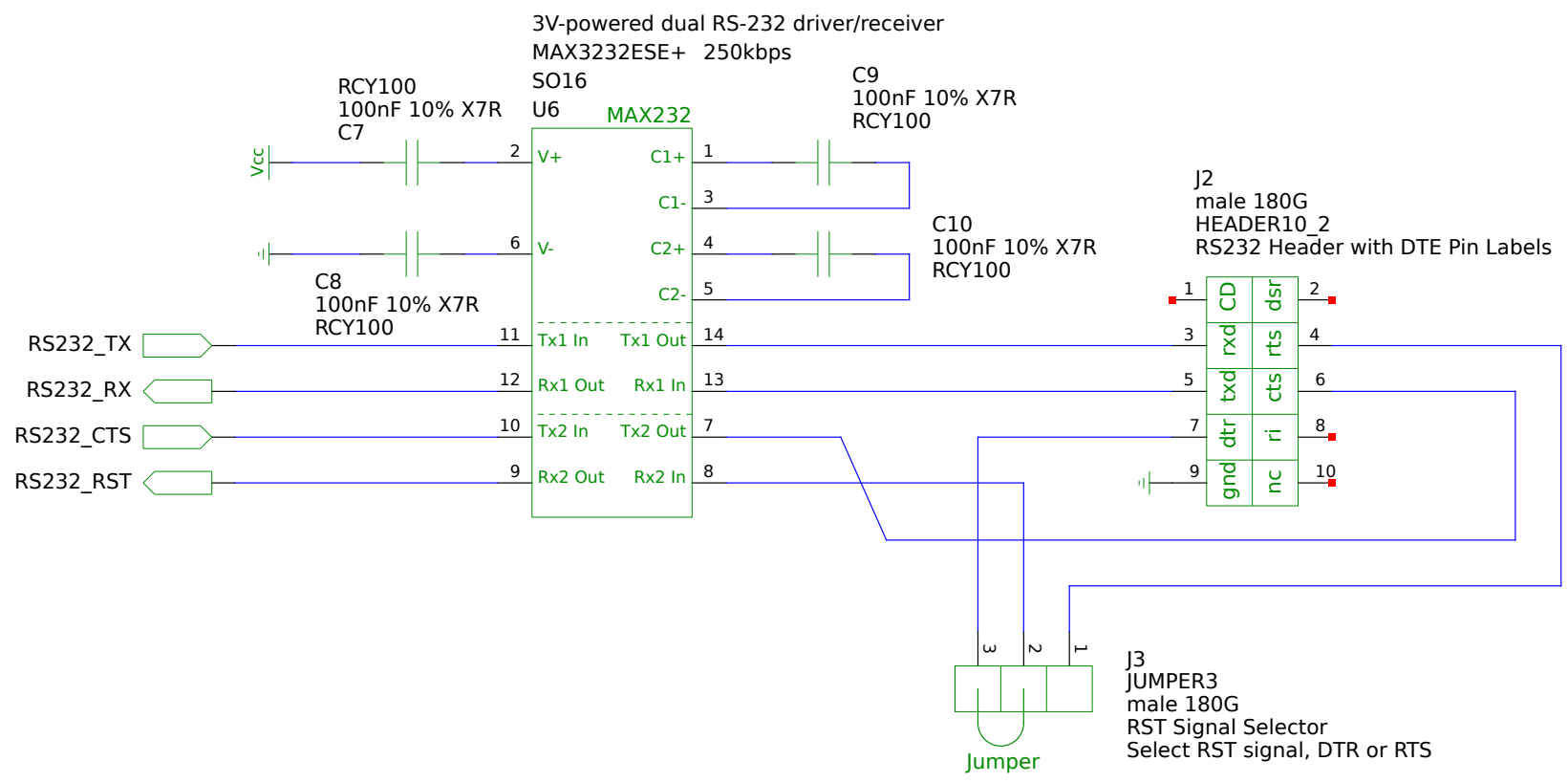


Status LEDs

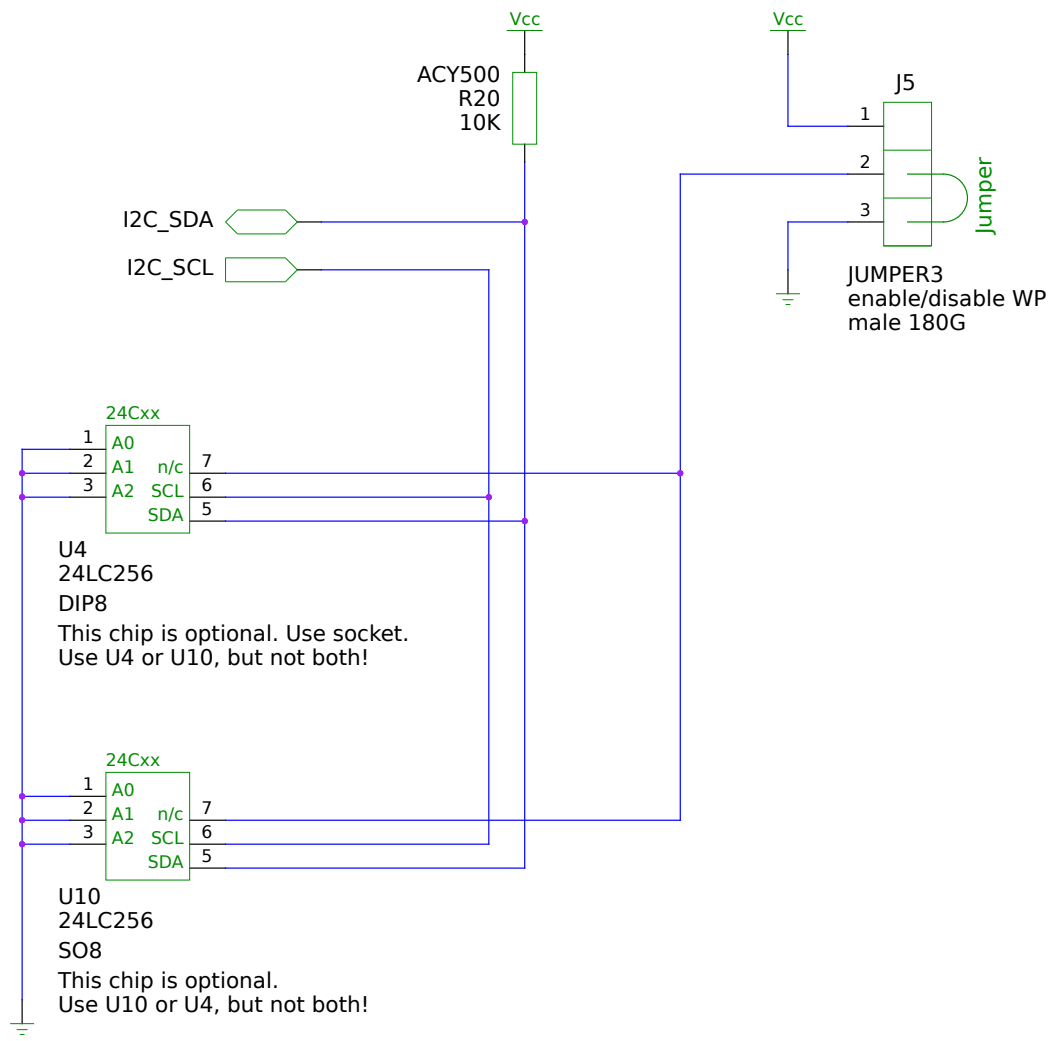
Zerocat Chipflasher

Flash free firmware, kick the Management Engine.
[git://zerocat.org/zerocat/projects/chipflasher.git](https://zerocat.org/zerocat/projects/chipflasher.git)

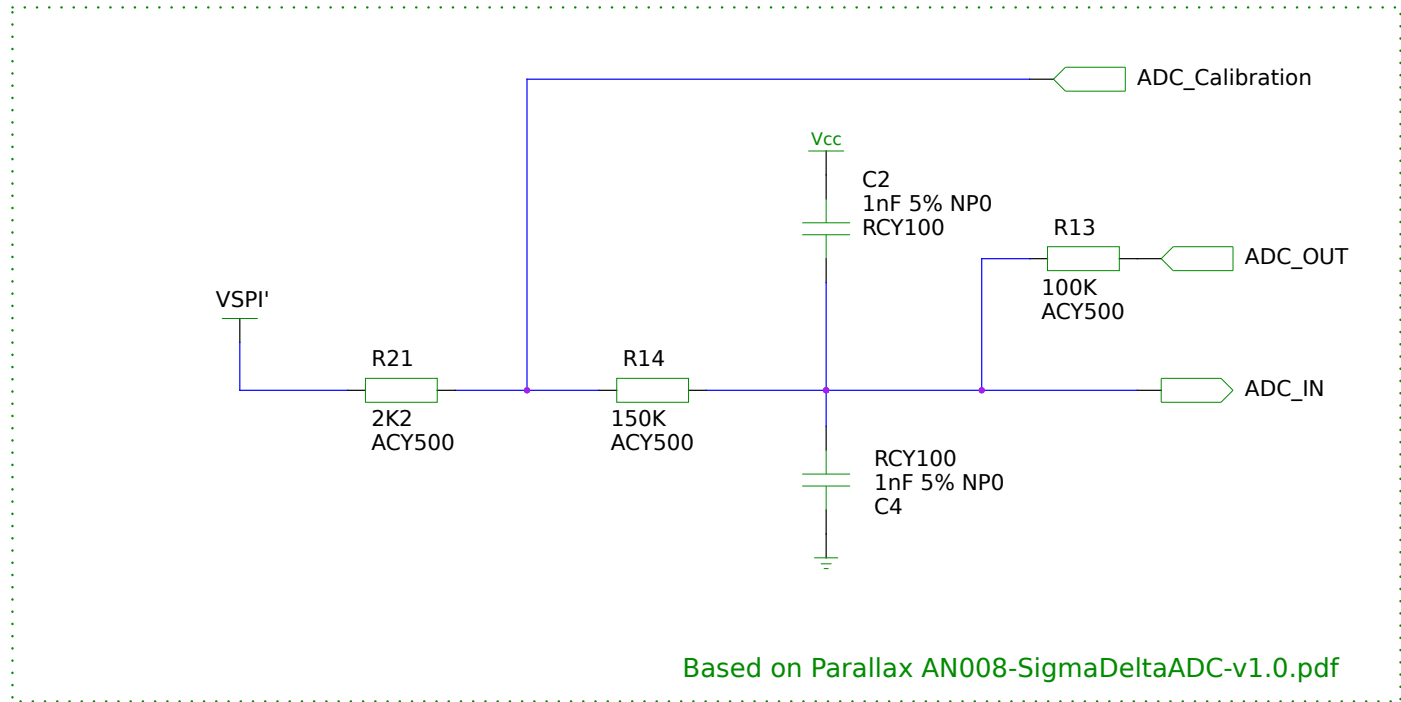
TITLE		REVISION:	v2.3.0-316-13e74c3586
FILE:	chipflasher-page05.sch	DRAWN BY:	kmx
PAGE 5	OF 13		



RS232 Pinheader		Zerocat Chipflasher	
		Flash free firmware, kick the Management Engine. git://zerocat.org/zerocat/projects/chipflasher.git	
TITLE		REVISION:	v2.3.0-316-13e74c3586
FILE:	chipflasher-page06.sch	DRAWN BY:	kmx
PAGE	6	OF	14



Serial EEPROM (optional)		Zerocat Chipflasher	
		Flash free firmware, kick the Management Engine. git://zerocat.org/zerocat/projects/chipflasher.git	
TITLE		REVISION:	v2.3.0-316-13e74c3586
FILE:	chipflasher-page07.sch	DRAWN BY:	kmx
PAGE	7	OF	15



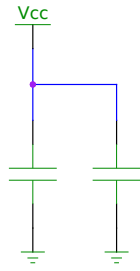
Sigma-delta ADC Circuit

Zerocat Chipflasher

Flash free firmware, kick the Management Engine.
[git://zerocat.org/zerocat/projects/chipflasher.git](https://zerocat.org/zerocat/projects/chipflasher.git)

TITLE		
FILE:	chipflasher-page08.sch	REVISION: v2.3.0-316-13e74c3586
PAGE 8	OF 16	DRAWN BY: kmx

100nF 10% X7R
C12 RCY100
Blocking Cap for U1 (P8X32A)



100nF 10% X7R
C13 RCY100
Blocking Cap for U1 (P8X32A)



Blocking Cap for U4 and U10
C15
RCY100
100nF 10% X7R



Blocking Cap for U6, U2, U9
C6
RCY100
100nF 10% X7R

Blocking Caps

Zerocat Chipflasher

Flash free firmware, kick the Management Engine.
[git://zerocat.org/zerocat/projects/chipflasher.git](https://zerocat.org/zerocat/projects/chipflasher.git)

TITLE		
FILE:	chipflasher-page09.sch	REVISION: v2.3.0-316-13e74c3586
PAGE 9	OF 17	DRAWN BY: kmx